



CURRENT TRANSFORMERS WITH TRANSDUCER



CTC 74/20H

Two in one: combination of current transformer and electronic transducer.
 The two components are built into the same case.
 The C.T. provides a galvanic isolation between the sensing circuit, the electronic circuit and mains.

Technical data:

Class of accuracy:	0.5		
Input:	25...200 A AC		
Rated voltage:	720 V.		
Output (DC):	0...20 mA	4...20 mA	10 V
	R _L =0...200 Ω		R _L > 2 k
Rated burden:			
Mains:	230 V ± 10%		
Rated frequency:	50-60 Hz.		
Working temperature range:	0 ... +45°C.		
High voltage test:	4 kV _{eff} , 50 Hz, 1 min.		
Insulation class:	E (max. 120°C)		
Protection:	IP 00.		
Case:	non-flammable plastic, UL 94 V-0.		

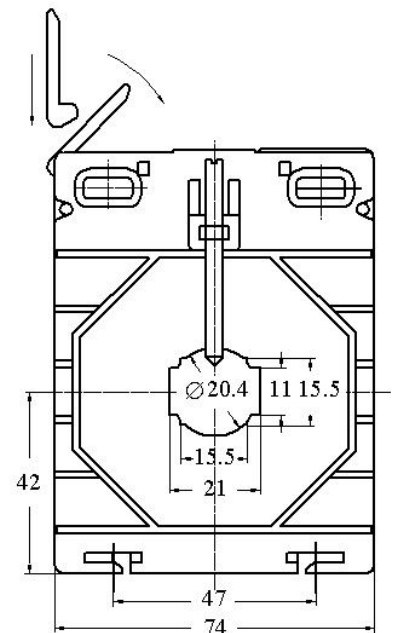
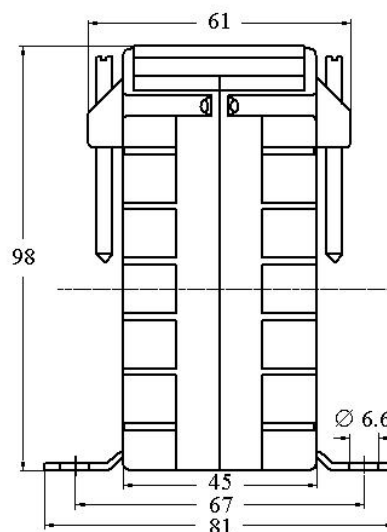
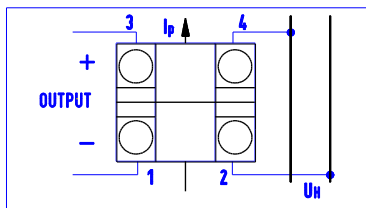


CTC 74/20H					
INPUT	OUTPUT	INPUT	OUTPUT	INPUT	OUTPUT
25 A	4 ... 20 mA	60 A	4 ... 20 mA	125 A	4 ... 20 mA
	0 ... 20 mA		0 ... 20 mA		0 ... 20 mA
	0 ... 10 V		0 ... 10 V		0 ... 10 V
30 A	4 ... 20 mA	75 A	4 ... 20 mA	150 A	4 ... 20 mA
	0 ... 20 mA		0 ... 20 mA		0 ... 20 mA
	0 ... 10 V		0 ... 10 V		0 ... 10 V
40 A	4 ... 20 mA	80 A	4 ... 20 mA	200 A	4 ... 20 mA
	0 ... 20 mA		0 ... 20 mA		0 ... 20 mA
	0 ... 10 V		0 ... 10 V		0 ... 10 V
50 A	4 ... 20 mA	100 A	4 ... 20 mA		
	0 ... 20 mA		0 ... 20 mA		
	0 ... 10 V		0 ... 10 V		

Outline drawing

Dimensions in mm.

Connection diagram



Order specification:

AC current transformer with transducer
 Input current: 100 A
 Output: 4...20 mA
 Class of accuracy: 0.5

CTC 74/20H 100 A 4...20 mA Cl. 0.5

Note: -On request orders for types different from table are accepted.
 -On request order for clip for DIN EN 50 022 rail are accepted
 Cat. No. 12-3044-94.

Weight: 620-720 gr