



CTC 86/40H

Two in one: combination of current transformer and electronic transducer.
 The two components are built into the same case.
 The C.T. provides a galvanic isolation between the sensing circuit, the electronic circuit and mains.

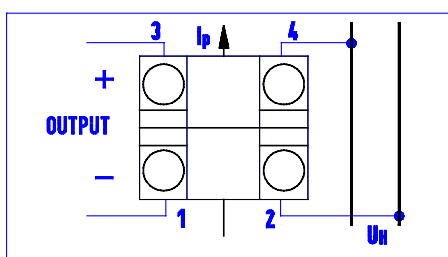
Technical data:

Class of accuracy:	0.5
Input:	50...600 A AC
Rated voltage:	720 V.
Output (DC):	20 mA 4...20 mA 10 V
Rated burden:	$R_L=0...200 \Omega$ $R_L > 2 k$
Mains:	230 V \pm 10%
Rated frequency:	50-60 Hz.
Working temperature range:	0 ... +45°C
High voltage test:	4 kV _{eff} , 50 Hz, 1 min.
Insulation class:	E (max. 120°C)
Protection:	IP 00.
Case:	non-flammable plastic, UL 94 V-0.



CTC 86/40H					
INPUT	OUTPUT	INPUT	OUTPUT	INPUT	OUTPUT
50 A	4 ... 20 mA	125 A	4 ... 20 mA	300 A	4 ... 20 mA
	0 ... 20 mA		0 ... 20 mA		0 ... 20 mA
	0 ... 10 V		0 ... 10 V		0 ... 10 V
60 A	4 ... 20 mA	150 A	4 ... 20 mA	400 A	4 ... 20 mA
	0 ... 20 mA		0 ... 20 mA		0 ... 20 mA
	0 ... 10 V		0 ... 10 V		0 ... 10 V
75 A	4 ... 20 mA	200 A	4 ... 20 mA	500 A	4 ... 20 mA
	0 ... 20 mA		0 ... 20 mA		0 ... 20 mA
	0 ... 10 V		0 ... 10 V		0 ... 10 V
100 A	4 ... 20 mA	250 A	4 ... 20 mA	600 A	4 ... 20 mA
	0 ... 20 mA		0 ... 20 mA		0 ... 20 mA
	0 ... 10 V		0 ... 10 V		0 ... 10 V

Connection diagram



Order specification:

AC current transformer with transducer
 Input current: 500 A
 Output: 0...20 mA
 Class of accuracy: 0.5

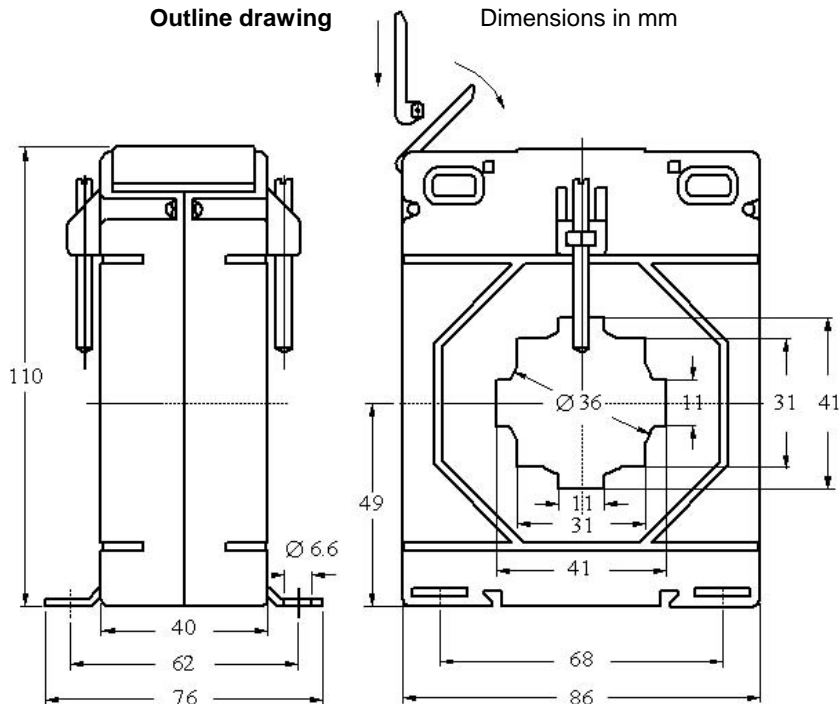
CTC 86/40H 500A 0...20 mA Cl. 0.5

Note:

- On request orders for types different from table are accepted.
 - On request order for clip for DIN EN 50 022 rail are accepted.
- Cat. No. 12-3044-94.

Outline drawing

Dimensions in mm



Weight: 510-620 gr