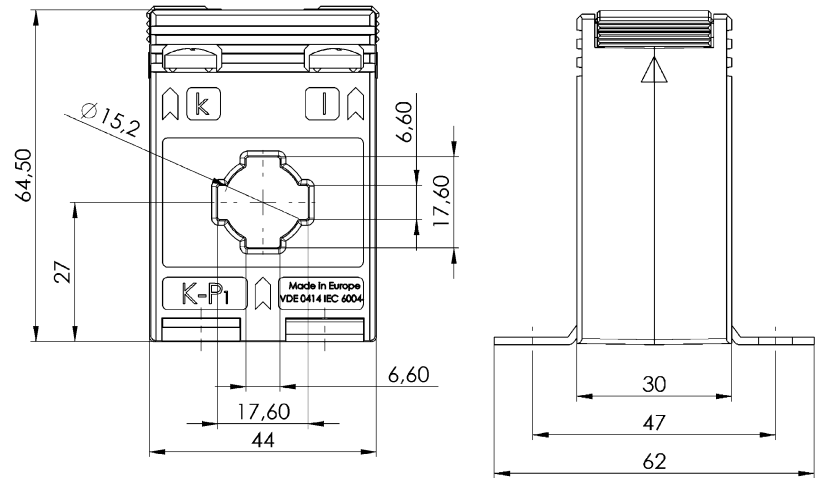


(E)AS 176.3

Plug-in current transformer suitable for **SlimLineXR** size XR1

**Dimensions:**

Primary conductor 1: 17x6 mm
 Round conductor: 15.2 mm
 Transformer width: 44 mm
 Transformer height: 64.5 mm
 Total depth: 30 mm

General technical specifications:

Thermal nominal continuous rated current I_{cth} : $1.2 \times I_N$
 Thermal nominal short-time current I_{th} : $60 \times I_N$, 1 sec.
 Maximum operating voltage U_m : 0.72 kV
 Isolation test voltage: 3 kV, U_{eff} , 50 Hz, 1 Min.
 Rated frequency: 50 Hz
 Isolation class: E
 Applicable technical standards: DIN EN 60044/1
 VDE 0414 Teil 1

Further information:

- Plug-in current transformer for direct installation in low voltage switch bar in size 1 by ABB and Siemens
- Current transformers for tariff applications have been approved by the Physikalisch Technische Bundesanstalt (PTB) Braunschweig (an authorized German testing laboratory)
- Available for primary nominal currents from 75 A up to 250 A
- Accuracy classes: 1 and 0.5
- Overload operation limit up to 120 % of the primary rated current
- Over current rated limiting factor: See rating plate
- Operating temperature: $-5^\circ\text{C} < T < +40^\circ\text{C}$
- Storage temperature: $-25^\circ\text{C} < T < +70^\circ\text{C}$
- Unbreakable plastic housing of black polycarbonate, self-extinguishing, flame resistant
- Nickel-plated secondary terminals with plus-minus nickel-plated screw M5x10 mm
- Integrated secondary locking caps
- Packaging unit: 1 pc.
- Customs tariff number: 85043129

Order list

AS 176.3 - Plug-in current transformer for industrial applications

Secondary current		5A		1A	
Primary current [A]	Burden [VA]	Accuracy class		Accuracy class	
		1	0.5	1	0.5
		Art.-no.	Art.-no.	Art.-no.	Art.-no.
75	1.5	1030006009		1030206009	
80	1.5	1030006010		1030206010	
100	1		1030005007		1030205007
	2	1030006001		1030206001	
125	1.5		1030005008		1030205008
	2.5	1030006002		1030206002	
150	1.5	1030006007	1030005001	1030206007	1030205001
	2.5	1030006003	1030005006	1030206003	1030205006
160	2.5	1030006004	1030005004	1030206004	1030205004
200	2.5	1030006005	1030005002	1030206005	1030205002
250	2.5	1030006008	1030005003	1030206008	1030205003
	3.75	1030006006		1030206006	

EAS 176.3 - Plug-in current transformer for tariff applications

Secondary current		5A		1A	
Primary current [A]	Burden [VA]	Accuracy class		Accuracy class	
		1	0.5	1	0.5
		Art.-no.	Art.-no.	Art.-no.	Art.-no.
100	1.5		1030505004		1030705004
150	1.5		1030505001		1030705001
	2.5		1030505005		1030705005
200	2.5		1030505002		1030705002
250	2.5		1030505003		1030705003