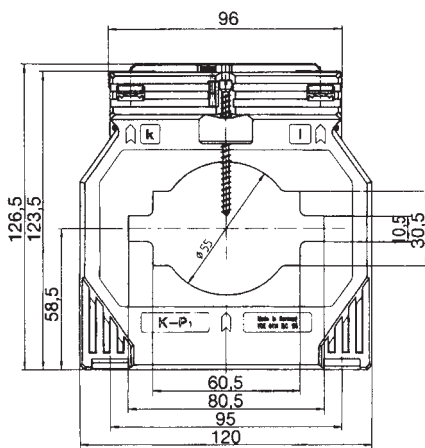
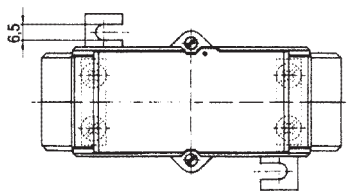
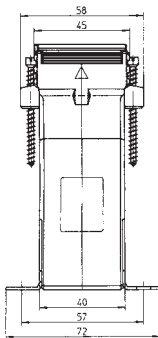




ASK 81.4

Plug-in current transformer



Primary conductor	80 x 10 mm 60 x 30 mm 2 x 60 x 10 mm
Round conductor	Ø 55 mm
Transformer width	120 mm
Snap-on mounting	—
Sealed shutter	Art.-no. 59042 see page 205
Current transformer for tariff applications	see page 185

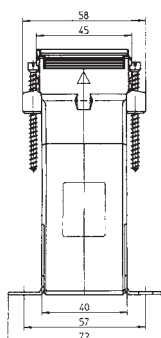
Secondary current		5A			1A	
Primary current A	Burden VA	Accuracy class			Accuracy class	
		1	0.5	0.2s	1	0.5
		Art.-no.	Art.-no.	Art.-no.	Art.-no.	Art.-no.
400	2.5	21038	21009	V47-2004D	21238	21209
	5	21039	21010	V47-2004F	21239	21210
	10		21197			
500	2.5	21040	21011	V47-2104D	21240	21211
	5	21041	21135	V47-2104F	21241	21335
	10	21042	21078		21242	21278
600	2.5	21043	21012	V47-2204D	21243	21212
	5	21044	21013	V47-2204F	21244	21213
	10	21045	21014	V47-2204H	21245	21214
750	2.5	21046	21015	V47-2304D	21246	21215
	5	21047	21016	V47-2304F	21247	21216
	10	21048	21017	V47-2304H	21248	21217
	15	21049	21079		21249	21279
800	2.5	21050	21018		21250	21218
	5	21051	21019		21251	21219
	10	21052	21020		21252	21220
	15	21053	21080		21253	21280
1000	2.5	21084		V47-2504D		
	5	21054	21021	V47-2504F	21254	21221
	10	21055	21022	V47-2504H	21255	21222
	15	21056	21023	V47-2504J	21256	21223
	30	21057			21257	
1200	5	21058	21024	V47-2604F	21258	21224
	10	21059	21025	V47-2604H	21259	21225
	15	21060	21026	V47-2604J	21260	21226
	30	21061			21261	
1250	5	21062	21027	V47-2704F	21262	21227
	10	21063	21028	V47-2704H	21263	21228
	15	21064	21029	V47-2704J	21264	21229
	30	21065			21265	
1500	5	21085	21030	V47-2804F		21230
	10	21066	21031	V47-2804H	21266	21231
	15	21067	21032	V47-2804J	21267	21232
	30	21068			21268	
	45	21069			21269	
1600	5	21086	21033			21233
	10	21070	21034		21270	21234
	15	21071	21035		21271	21235
	30	21072			21272	
	45	21073			21273	
2000	10	21074	21036		21274	21236
	15	21075	21037		21275	21237
	30	21076			21276	
	45	21077			21277	

Change-over transformers see page 76.



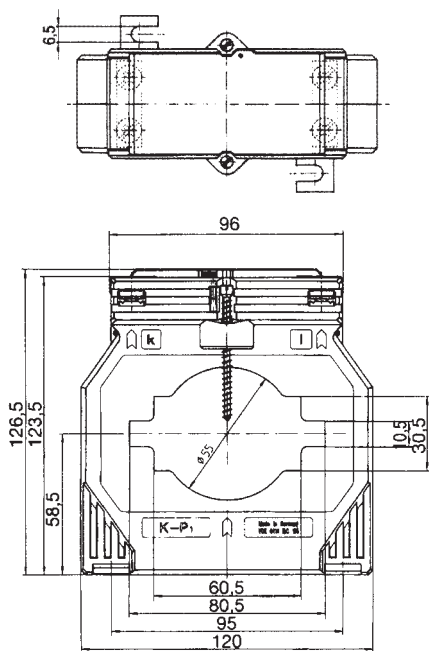
ASK 81.4 2U

Plug-in current transformer



Secondary current		5A	1A
Primary current A	Burden VA	Accuracy class	Accuracy class
		1	1
		Art.-no.	Art.-no.
1000-500	10-5	21120	21320
	15-7.5	21121	21321
1200-600	10-5	21122	21322
	15-7.5	21123	21323
1500-750	10-5	21124	21324
	15-7.5	21125	21325
	30-15	21126	21326
	10-5	21127	21327
1600-800	15-7.5	21128	21328
	30-15	21129	21329
	10-5	21130	21330
	15-7.5	21131	21331
2000-1000	30-15	21132	21332

ASK 81.4 3U



Secondary current		5A	1A
Primary current A	Burden VA	Accuracy class	Accuracy class
		1	1
		Art.-no.	Art.-no.
2000-1500-1000	30-15-10	21160	21360
2000-1000-500	30-10-5	21161	21361
1600-800-400	15-10-5	21162	21362
1500-1000-500	15-10-5	21163	21363
1200-800-600	15-10-5	21164	21364
1500-1000-750	15-10-5	21165	21365
1000-750-500	10-5-2.5	21166	21366

Primary conductor	80 x 10 mm 60 x 30 mm 2 x 60 x 10 mm
Round conductor	Ø 55 mm
Transformer width	120 mm
Snap-on mounting	—
Sealed shutter	Art.-no. 59042 see page 205