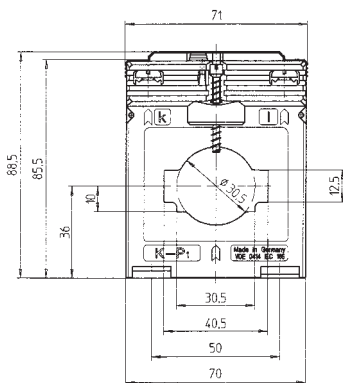
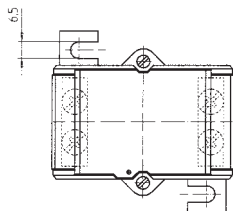
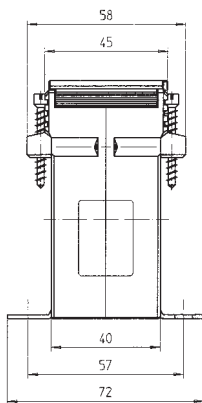


# ASK 412.4

## Plug-in current transformer



Primary conductor	40 x 12 mm 30 x 15 mm
Round conductor	Ø 30.5 mm
Transformer width	71 mm
Snap-on mounting	<b>Art.-no. 55012</b> see page 204
Sealed shutter	<b>Art.-no. 59041</b> see page 205

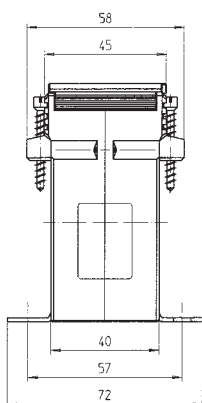
Secondary current		5A		1A	
Primary current A	Burden VA	Accuracy class		Accuracy class	
		1	0.5	1	0.5
		Art.-no.	Art.-no.	Art.-no.	Art.-no.
50	1.25	28036		28236	
	1.5	28037		28237	
60	1.25	28038		28238	
	1.5	28039		28239	
75	1.5	28040		28240	
	2.5	28041		28241	
80	1.5	28042		28242	
	2.5	28043		28243	
100	1.5	28044	28011	28244	28211
	2.5	28045		28245	
	3.75	28046		28246	
150	1.5	28047	28012	28247	28212
	2.5	28048	28013	28248	28213
	5	28049		28249	
200	2.5	28051	28015	28251	28215
	5	28052		28252	
	10	28053		28253	
250	1.5	28054	28016	28254	28216
	2.5	28055	28017	28255	28217
	5	28056	28014	28256	28214
	10	28057		28257	28087
300	2.5	28058	28018	28258	28218
	5	28059	28019	28259	28219
	10	28060		28260	
	15	28061		28261	
400	2.5	28062	28020	28262	28220
	5	28063	28021	28263	28221
	10	28064	28009	28264	28209
	15	28065		28265	
500	2.5	28066	28022	28266	28222
	5	28067	28023	28267	28223
	10	28068	28024	28268	28224
	15	28069		28269	
600	2.5	28070	28025	28270	28225
	5	28071	28026	28271	28226
	10	28072	28027	28272	28227
	15	28073		28273	
750	5	28074	28028	28274	28228
	10	28075	28029	28275	28229
	15	28076	28010	28276	28210
	30	28077		28277	
800	5	28078	28030	28278	28230
	10	28079	28031	28279	28231
	15	28080	28035	28280	28235
	30	28081		28281	



# ASK 412.4 2U

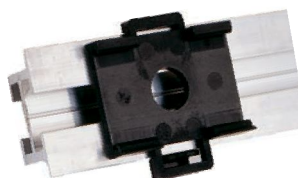
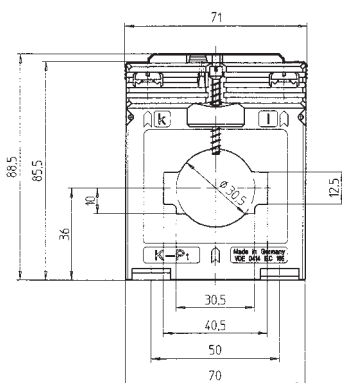
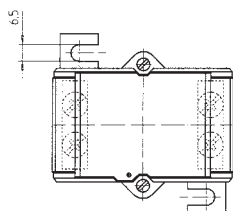
Plug-in current transformer

Secondary current		5A	1A
Primary current A	Burden VA	Accuracy class	Accuracy class
		1	1
		Art.-no.	Art.-no.
200-100	5-2.5	28133	28333
300-150	5-2.5	28134	28334
	10-5	28135	28335
400-200	5-2.5	28136	28336
	10-5	28137	28337
500-250	5-2.5	28138	28338
	10-5	28139	28339
600-300	5-2.5	28140	28340
	10-5	28141	28341
800-400	5-2.5	28143	28343
	10-5	28144	28344
	15-7.5	28145	28345



# ASK 412.4 3U

Secondary current		5A	1A
Primary current A	Burden VA	Accuracy class	Accuracy class
		1	1
		Art.-no.	Art.-no.
400-200-100	10-5-2.5	28163	28363
	15-7.5-2.5		
600-300-150	10-5-2.5	28164	28364
800-400-200	10-5-2.5	28165	28365



Snap-on mounting

Primary conductor	40 x 12 mm 30 x 15 mm
Round conductor	Ø 30.5 mm
Transformer width	71 mm
Snap-on mounting	<b>Art.-no. 55012</b> see page 204
Sealed shutter	<b>Art.-no. 59041</b> see page 205