

# M60-F Frequency meter

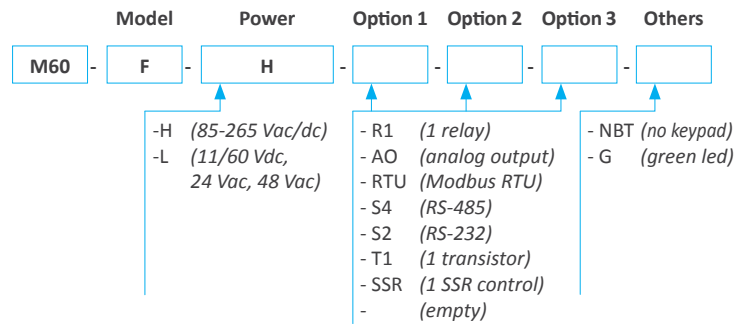
Frequency meter. Reading at 6 digits with 14 mm digit height. Standard 96 x 48 mm (1/8 DIN) size, for panel mount. Accepts frequency signals from 1 mHz up to 900 KHz, from power lines up to 500 Vac. Universal high and low AC and DC power options. Optional output modules with relay, transistor, SSR control, analog outputs and MODBUS RTU communication.

## Technical specifications

Digits	6
Reading	999999 / -199999
Decimal point	configurable
Led color	red or green
Digit height	14 mm
Signal ranges	from 1 mHz up to 900 KHz
Maximum voltage	up to 500 Vac
Coupling	AC or AC+DC
Accuracy	±0.05 % F.S.± 1 digit
Thermal stability	20 ppm/°C
Display refresh	15 refresh / second
Input impedance	470 K
Response time	<120 mSeg (0 % to 99 % of signal)
Power 'H'	85 to 265 Vac/dc (isolated 2500 Veff)
Power 'L'	11 to 60 Vdc y 24/48 Vac (isolated 1500 Veff)
Retransmission and control options	relays, analog output, serial communications, ...
Consumption	<1.5 W (meter only) <4.0 W (meter with options)
Front protection	IP65
Connections	plug-in screw terminal
Weight	<150 grams
Mounting	panel
Front size	96 x 48 mm
Panel cut-out	92 x 44 mm
Deep	91 mm (including terminals)
Operating temperature	0 to 50 °C

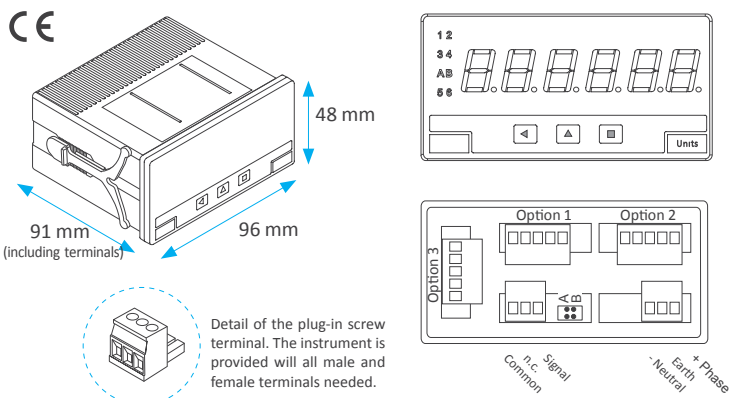


## Order reference



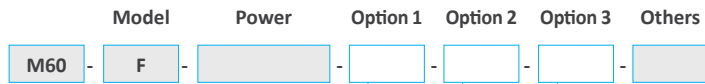
\* Relays R1 with contacts (NC / NO / Common), max. 250 Vac 8 A  
 \* Special options with 4 and 6 relays.  
 \* Analog outputs and serial outputs, isolated.

## Dimensions and connections



	AB
AC+DC (max. 30Vp)	
AC (max 30Vp)	
AC+DC (max. 500V)	

## Output and control options



	Function	Installable options	Isolated
R1	1 relay output	3	yes
T1	1 transistor output	3	yes
SSR	1 control for SSR relay	3	yes
AO	1 analog output	3	yes
RTU	1 Modbus RTU port	3	yes
S4	1 RS-485 port	3	yes
S2	1 RS-232 port	3	yes
R2, R4, R6	special modules up to 6 relay outputs. Check for information.		

## Other options

### Option NBT



Without front keypad

### Option G



Green leds

## Reading distances



## Accessories

### WME



Wall mount

### DRA



DIN rail mount

### THM



Benchtop housing

### KIP



Protector IP65

### KA96



Adapter 96 x 96 mm

## Additional documentation

- M60-F user's manual [www.fema.es/docs/2799\\_M60-F\\_manual\\_i.pdf](http://www.fema.es/docs/2799_M60-F_manual_i.pdf)
- M60-F datasheet [www.fema.es/docs/3183\\_M60-F\\_datasheet\\_i.pdf](http://www.fema.es/docs/3183_M60-F_datasheet_i.pdf)
- Options user's manual [www.fema.es/docs/4254\\_SERIES\\_M-K-S\\_OPTIONS\\_manual\\_i.pdf](http://www.fema.es/docs/4254_SERIES_M-K-S_OPTIONS_manual_i.pdf)