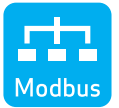


S40-RTU Display for Modbus RTU

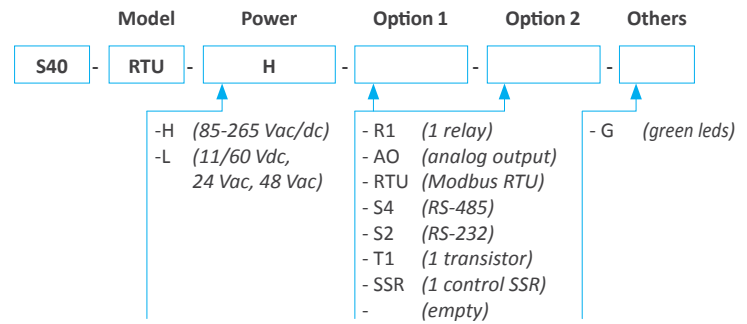
Panel meter with compact 72 x 36 mm size, and 14 mm digit height, for panel mount. Display for Modbus RTU protocol. Configurable 16 bit or 32 bit registers. Reading range from 9999 to -1999. Decimal point. Two configurable working modes with different alarm controls: 'Full slave' and 'Process slave'. 'Watchdog' function, 'Bus activity' function, 'Fast access' menu, 'On power up' function. Universal high and low AC and DC power options. Optional output modules with relay, transistor, SSR control, analog outputs and MODBUS RTU communication.



Technical specifications

Digits	4
Reading	9999 / -1999
Decimal point	X.X.X.X
Led color	red or green
Digit height	14 mm
Protocol	Modbus RTU
Bus	RS-485
Function	Modbus RTU slave
Speed	from 38.400 bps to 600 bps (19.200 bps by default)
Data format	8n1, 8e1, 8o1, 8n2
Address	1 to 247
Bus terminators	not included
Watchdog	configurable from 1 to 120 seconds
Functions supported	6 - Write single register 16 - Write multiple registers 3 - Read registers 5 - Write single coil 15 - Write multiple coils 1 - Read coils
Power 'H'	85 to 265 Vac/dc (isolated 2500 Veff)
Power 'L'	11 to 60 Vdc and 24/48 Vac (isolated 1500 Veff)
Retransmission and control options	relays, analog output, serial communications, ...
Consumption	<1.5 W (meter only) <4.0 W (meter with options)
Protection front	IP54
Connections	plug-in screw terminal
Weight	<150 grams
Mounting	panel
Front size	72 x 36 mm
Panel cut-out	69 x 32.5 mm
Deep	98 mm (including terminals)
Operating temperature	0 to 50 °C

Order reference

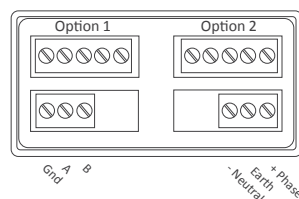
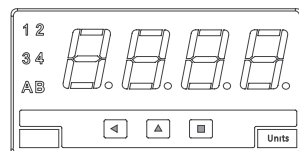
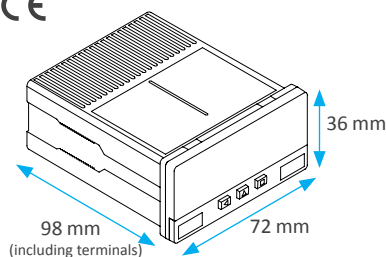


* Relays R1 with contacts (NC / NO / Common), max. 250 Vac 8 A
 * Special options with 4 relays.
 * Analog outputs and serial outputs, isolated.

Functions included

- 'Full slave' / 'Process slave' ... 'Full slave' allows for remote control of the alarms by writing to registers or coils. 'Process slave' allows for local control of alarms, based on local alarm configuration and actual display value.
- 'Watchdog' function ... generates error after predefined time without communication with the master. Alarm can be linked to the watchdog function.
- 'Bus activity' function ... detects electrical activity on the bus. Useful for troubleshooting.
- 'Fast access' menu ... specific menu entries can be associated to key UP ('^'), such as display address, or alarm setpoints.
- 'On power-up' function ... configurable delay at start-up, and configurable state of alarms at start-up.
- Brightness ... 5 levels of brightness intensity.
- Password ... blocks access to configuration menu.

Dimensions and connections



Detail of the plug-in screw terminal. The instrument is provided with all male and female terminals needed.

Output and control options

Model	Power	Option 1	Option 2	Others
S40	RTU			
Function	Installable options	Isolated		
R1	1 relay output	2	yes	
T1	1 transistor output	2	yes	
SSR	1 control for SSR relay	2	yes	
AO	1 analog output	2	yes	
RTU	1 Modbus RTU port	2	yes	
S4	1 RS-485 port	2	yes	
S2	1 RS-232 port	2	yes	
R2, R4	special modules up to 4 relay outputs. Check for information.			

Other options

Option G



Green leds

Accessories

KA72



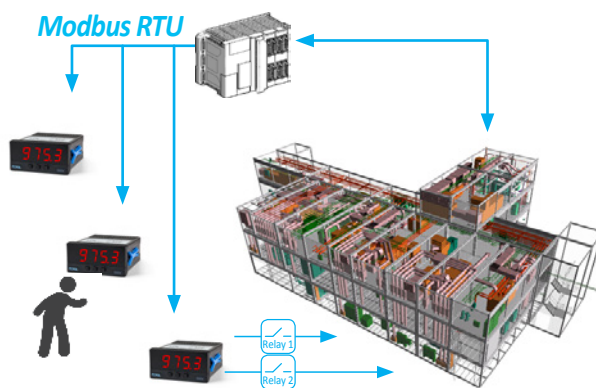
Adapter 72 x 72 mm

Additional documentation

S40-RTU user's manual	www.fema.es/docs/3724_S40-RTU_manual_en.pdf
S40-RTU datasheet	www.fema.es/docs/3725_S40-RTU_datasheet_en.pdf
Options user's manual	www.fema.es/docs/4254_SERIES_M-K-S_OPTIONS_manual_en.pdf

Application example

Factory signals are concentrated into a PLC who receives and manages factory processes. Critical information can be numerically communicated to local operators via Modbus RTU repeaters S40-RTU. Local displayed values are of valuable help to the operator, who can review in a single and fast visual check the main critical parameters of the system.



Reading distances

Digit height (mm)	10	14	20	60	100
Reading distance	4 m	5 m	8 m	20 m	40 m
Series	L	M,S	K	B2x	B4x

Other repeaters for Modbus RTU

Series M

4, 5 y 6 digits
 digit height 14 mm
 color red, green
 vision 5 meters
 size 96 x 48 mm

DIGITAL PANEL METER
SERIES M
 Full Signal Ranges Available



Series K

Further view
 digit height 20 mm
 color red
 vision 8 meters
 size 96 x 48 mm

DIGITAL PANEL METERS
SERIES K
 20 mm Digit Size



Series S

Compact size
 digit height 14 mm
 color red, green
 vision 5 meters
 size 72 x 36 mm

DIGITAL PANEL METERS
SERIES S
 Compact Size 72x36 mm

