

# S40-232 Display for RS-232 ASCII

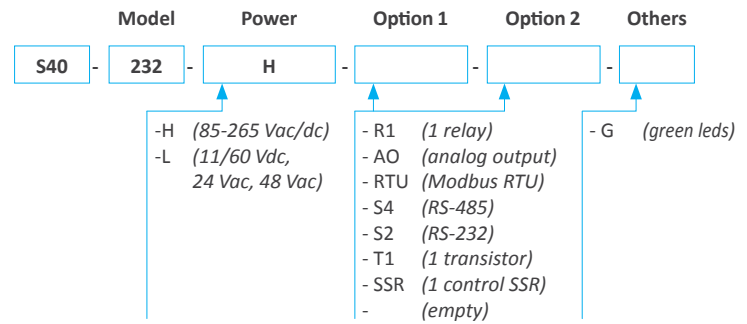
Panel meter with compact 72 x 36 mm size, and 14 mm digit height, for panel mount. Display for ASCII code repeater, on RS-232 bus. Three working modes allows for local or remote control of alarms and data treated as numerical values or ASCII values. Reading range from 9999 to -1999. Decimal point. 'Watchdog' function, 'Bus activity' function, 'Fast access' menu, 'On power up' function. Universal high and low AC and DC power options. Optional output modules with relay, transistor, SSR control, analog outputs and MODBUS RTU communication.



## Technical specifications

Digits	4
Reading	9999 / -1999
Decimal point	X.X.X.X
Led color	red or green
Digit height	14 mm
Protocol	ASCII
Bus	RS-232
Function	ASCII code repeater
Speed	from 38.400 bps to 600 bps (19.200 bps by default)
Data format	8n1, 8e1, 8o1, 8n2
Address	1 to 31
Bus terminators	not included
Watchdog	configurable from 1 to 120 seconds
Working modes	'Process slave' for local control of alarms 'Full slave' for remote control of alarms 'Text' to work with ASCII characters
Power 'H'	85 to 265 Vac/dc (isolated 2500 Veff)
Power 'L'	11 to 60 Vdc and 24/48 Vac (isolated 1500 Veff)
Retransmission and control options	relays, analog output, serial communications, ...
Consumption	<1.5 W (meter only) <4.0 W (meter with options)
Protection front	IP54
Connections	plug-in screw terminal
Weight	<150 grams
Mounting	panel
Front size	72 x 36 mm
Panel cut-out	69 x 32.5 mm
Deep	98 mm (including terminals)
Operating temperature	0 to 50 °C

## Order reference

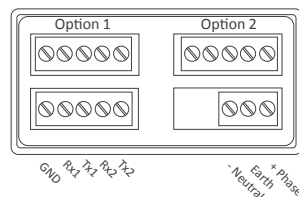
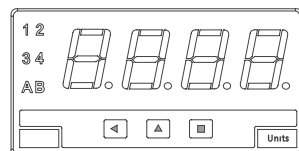
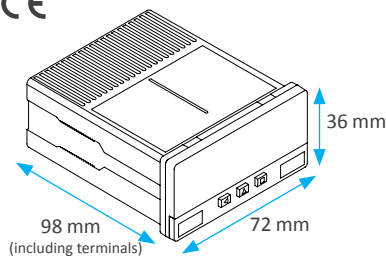


\* Relays R1 with contacts (NC / NO / Common), max. 250 Vac 8 A  
\* Special options with 4 relays.  
\* Analog outputs and serial outputs, isolated.

## Functions included

- 'Process slave' ..... in 'Process slave' mode, alarms are configured locally and are associated to the display value
- 'Full slave' ..... in 'Full slave' mode alarms activate or deactivate writing on alarm registers.
- 'Text' ..... in 'Text' mode, ASCII characters received are not translated to number, but are directly displayed as 7 segment characters.
- 'Watchdog' function ..... generates error after predefined time without communication with the master. Alarm can be linked to the watchdog function.
- 'Bus activity' function ..... detects electrical activity on the bus. Useful for troubleshooting.
- 'Fast access' menu ..... specific menu entries can be associated to key UP ('▲'), such as display address, or alarm setpoints.
- 'On power-up' function ..... configurable delay at start-up, and configurable state of alarms at start-up.
- Brightness ..... 5 levels of brightness intensity.
- Password ..... blocks access to configuration menu.

## Dimensions and connections



Detail of the plug-in screw terminal. The instrument is provided with all male and female terminals needed.

## Output and control options

Model	Power	Option 1	Option 2	Others
S40	232			
Function	Installable options	Isolated		
R1	1 relay output	2	yes	
T1	1 transistor output	2	yes	
SSR	1 control for SSR relay	2	yes	
AO	1 analog output	2	yes	
RTU	1 Modbus RTU port	2	yes	
S4	1 RS-485 port	2	yes	
S2	1 RS-232 port	2	yes	
R2, R4	special modules up to 4 relay outputs. Check for information.			

## Other options

### Option G



Green leds

## Accessories

### KA72



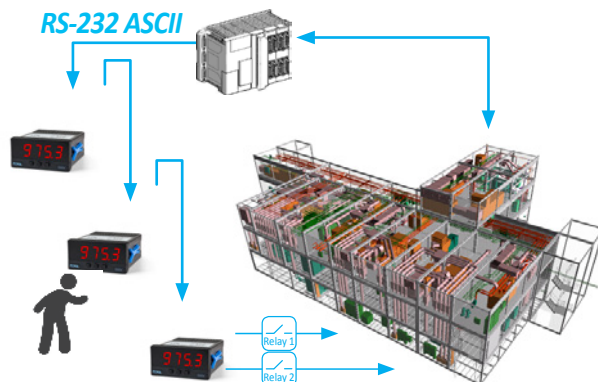
Adapter 72 x 72 mm

## Additional documentation

S40-232 user's manual	<a href="http://www.fema.es/docs/3823_S40-232_manual_en.pdf">www.fema.es/docs/3823_S40-232_manual_en.pdf</a>
S40-232 datasheet	<a href="http://www.fema.es/docs/3817_S40-232_datasheet_en.pdf">www.fema.es/docs/3817_S40-232_datasheet_en.pdf</a>
Options user's manual	<a href="http://www.fema.es/docs/4254_SERIES_M-K-S_OPTIONS_manual_en.pdf">www.fema.es/docs/4254_SERIES_M-K-S_OPTIONS_manual_en.pdf</a>

## Application example

Factory signals are concentrated into a PLC who receives and manages factory processes. Critical information can be numerically communicated to local operators via RS-232 ASCII code repeaters S40-232. Local displayed values are of valuable help to the operator, who can review in a single and fast visual check the main critical parameters of the system. The instrument allows for Daisy-chain connection.



## Reading distances

Digit height (mm)	10	14	20	60	100
Reading distance	4 m	5 m	8 m	20 m	40 m
Series	L	M,S	K	B2x	B4x

## Other repeaters for RS-232

### Series M

**4, 5 y 6 digits**  
 digit height ..... 14 mm  
 color ..... red, green  
 vision ..... 5 meters  
 size ..... 96 x 48 mm

DIGITAL PANEL METER  
**SERIES M**  
 Full Signal Ranges Available



### Series K

**Further view**  
 digit height ..... 20 mm  
 color ..... red  
 vision ..... 8 meters  
 size ..... 96 x 48 mm

DIGITAL PANEL METERS  
**SERIES K**  
 20 mm Digit Size



### Series S

**Compact size**  
 digit height ..... 14 mm  
 color ..... red, green  
 vision ..... 5 meters  
 size ..... 72 x 36 mm

DIGITAL PANEL METERS  
**SERIES S**  
 Compact Size 72x36 mm

