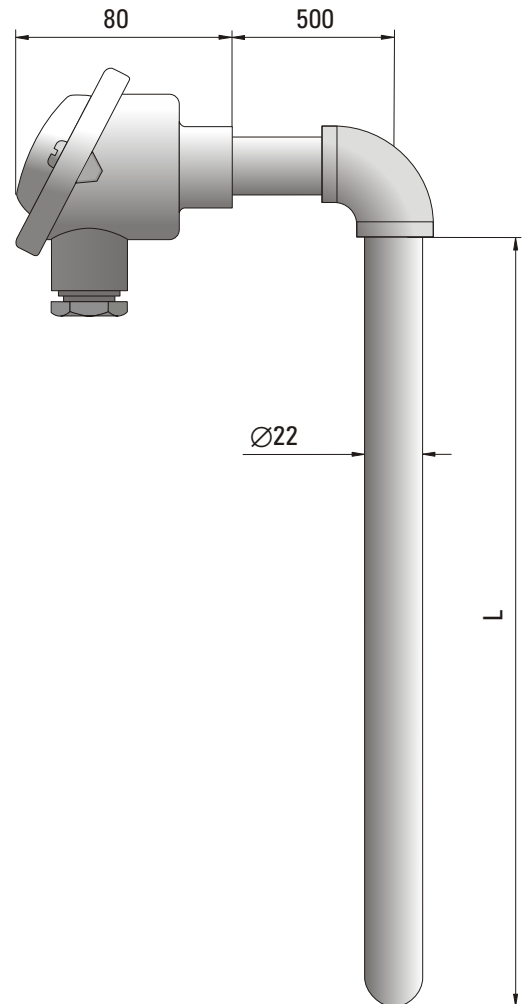


# TEMPERATURE SENSOR

## type 695

### SPECIFICATION

Temperature range	-40°C... +700°C	(J)
	-40°C... +1100°C	(K)
Measuring element	thermocouple Fe-CuNi	(J)
	thermocouple NiCr-NiAl	(K)
Class of processing element	2 <sup>(1)</sup>	
Measuring junction	insulated <sup>(1)</sup>	
Sheath material	heat-resistant steel 1.4749 <sup>(3)</sup>	
Connecting head type	B or DA <sup>(2)</sup>	
Head operating temperature	-40°C... +100°C	
Additional accessories	temperature transmitter clamping plate type <b>UZ</b> compensation cable	



<sup>(1)</sup> Other parameters according to customer requirements  
<sup>(2)</sup> Connection head with protection class IP65 or acid resistant on demand  
<sup>(3)</sup> Sheath made of steel 1.4762 on demand  
<sup>(4)</sup> Sheath with a diameter of 20 mm on demand

### ORDERING CODE



Measuring element **J** or **K**

Single **(1)** or double **(2)** measuring element

Sensor length L = **400, 600, 800, 1000, 1200, 1600** or **2000** mm<sup>(1)</sup>

Additional accessories: clamping plate type **UZ-22**

Option with the head-mount transmitter **T**

### Example for order:

TP-695K-1-800 sensor with single thermocouple NiCr-NiAl (K) of outer diameter  $\varnothing = 22$  mm and length L = 800 mm.

TP-695K-1-800-T; TCH-2170-K sensor with the head-mount transmitter type TCH-2170-K.