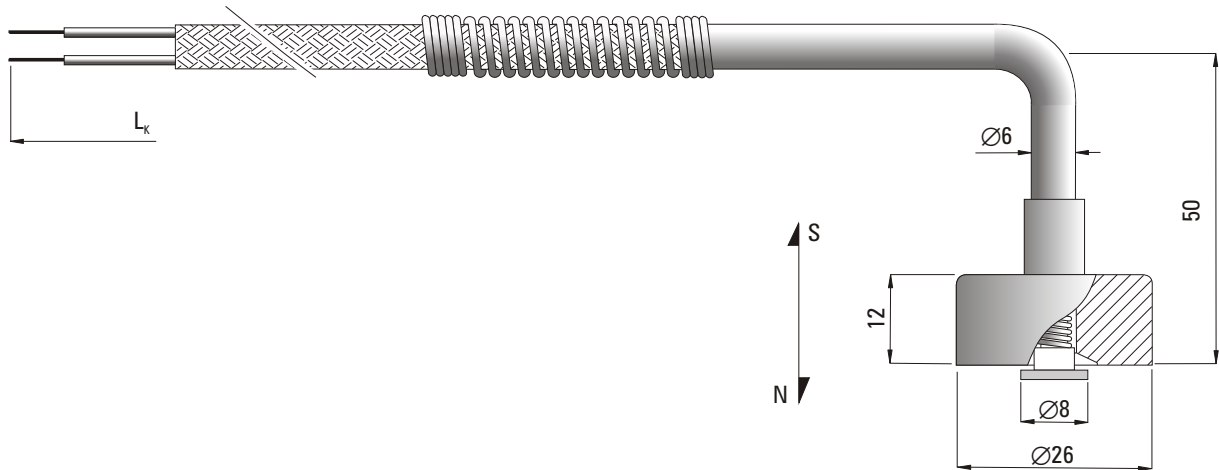


TEMPERATURE SENSOR

type 384



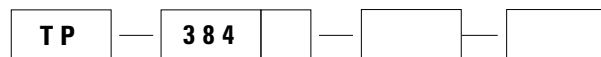
SPECIFICATION

Application	surface temperature measurement of blocks, parts of machinery or construction elements made from magnetic materials
Temperature range	0°C... +400°C
Measuring element	thermocouple Cu-CuNi (T) thermocouple Fe-CuNi (J) thermocouple NiCr-NiAl (K)
Class of thermocouple	2
Measuring junction	grounded
Magnetic material	Alnico
Sheath material	steel 1.4541
Cable insulation	fibre glass and steel braid ⁽²⁾
Additional accessories	plug type MT

⁽¹⁾ Other parameters according to customer requirements

⁽²⁾ Other insulation of the cable: PVC, silicon, teflon, stainless steel armoured sheath on demand

ORDERING CODE



Measuring element **T, J, K**

Cable length $L_k = 0,5, 1,5$ or $2,5$ m ⁽¹⁾

Additional accessories: plug type **MT**

Example for order: TP-384J-1,5 thermocouple sensor Fe-CuNi (J), length of the cable $L_k = 1,5$ m.