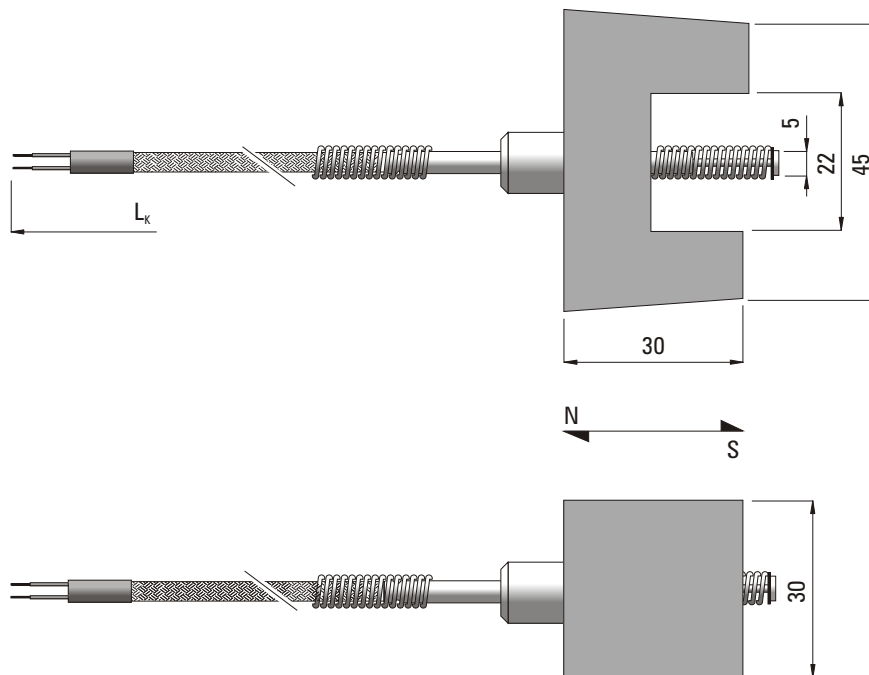


## TEMPERATURE SENSOR type 385



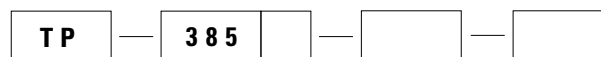
### SPECIFICATION

Application	surface temperature measurement of blocks, parts of machinery or construction elements made from magnetic materials
Temperature range	0°C... +400°C
Measuring element	thermocouple Cu-CuNi <b>(T)</b> thermocouple Fe-CuNi <b>(J)</b> thermocouple NiCr-NiAl <b>(K)</b>
Class of thermocouple	2 <sup>(1)</sup>
Measuring junction	insulated <sup>(1)</sup>
Magnetic material	Alnico
Sheath material	steel 1.4541
Cable insulation	fibre glass and steel braid <sup>(2)</sup>
Additional accessories	plug type <b>MT</b>

<sup>(1)</sup> Other parameters according to customer requirements

<sup>(2)</sup> Other insulation: PVC, silicon, PTFE, stainless steel armored sheath on demand

### ORDERING CODE



Measuring element **T, J, K**  
 Cable length  $L_k = 0,5, 1,5$  or  $2,5$  m<sup>(1)</sup>  
 Additional accessories: plug type **MT**

**Example for order:** TP-385J-1,5 thermocouple sensor Fe-CuNi (J), length of compensation cable  $L_k = 1,5$  m.