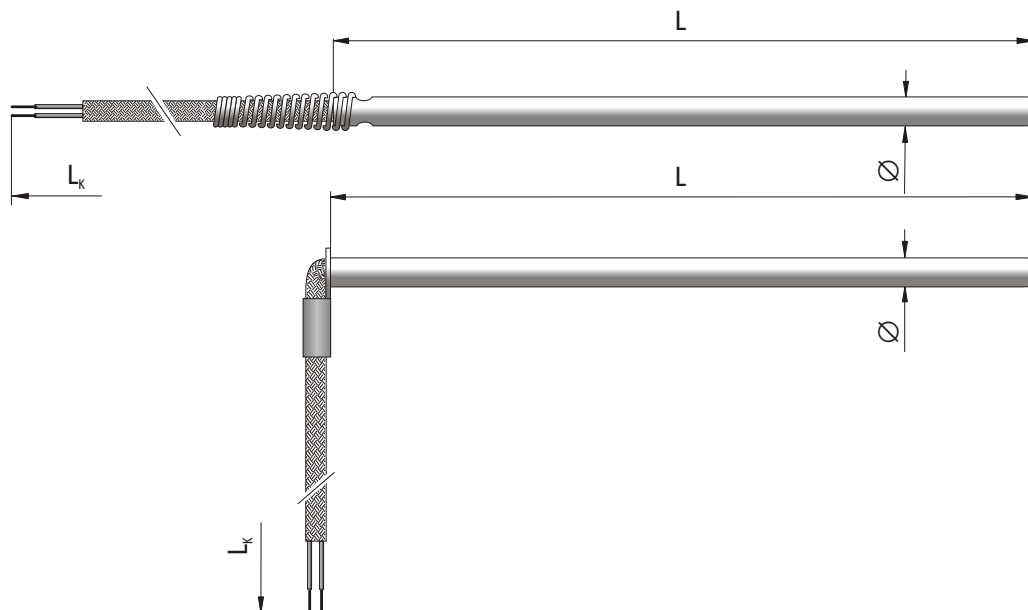


TEMPERATURE SENSOR

type 361

type 362



SPECIFICATION

Temperature range	-40°C...+400°C
Measuring element	platinum resistor (Pt100)⁽¹⁾ thermocouple Cu-CuNi (T) thermocouple Fe-CuNi (J) thermocouple NiCr-NiAl (K)
Class of processing element	2 (B)
Measuring junction	insulated ⁽²⁾
Sheath material	steel 1.4541
Cable insulation	fiber glass and steel braid ⁽³⁾
Additional accessories	compression gland KP

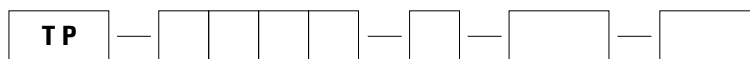
⁽¹⁾ Pt500, Pt1000, Ni100, Ni1000 on demand

⁽²⁾ Other parameters according to customer requirements

⁽³⁾ Other cable insulation: PVC, silicon, PTFE, stainless steel armored sheath

Option	W1	W2	W3	W4	W5	W6	W7
Sensor length L(mm) ⁽²⁾	50	100	200	300	400	600	800
Length of the cable L _k (m) ⁽²⁾	0,5	1	1	1	1,5	1,5	1,5

ORDERING CODE



Sensor type **361, 362**

Measuring element **Pt100, T, J or K⁽¹⁾**

Sheath outer diameter $\varnothing = 2,5, 3, 4, 5, 6, \text{ or } 8$ mm

Option **W1...W7**

Additional accessories: compression gland type **KPM8x1, KPM10x1, KPM12x1,5⁽²⁾**

Example for order: TP-361J-5-W5 thermocouple sensor Fe-CuNi (J) of diameter $\varnothing = 5$ mm, length L = 400 mm and length of the cable L_k = 1,5 m.