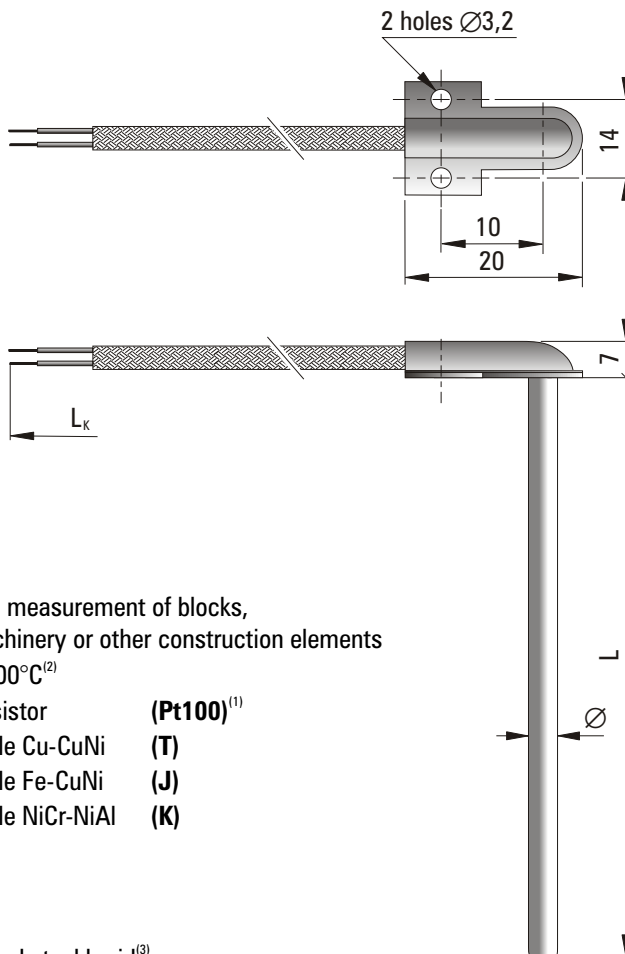


TEMPERATURE SENSOR

type 366



SPECIFICATION

Application

temperature measurement of blocks,
 parts of machinery or other construction elements

Temperature range

-40°C... +400°C⁽²⁾

Measuring element

platinum resistor **(Pt100)⁽¹⁾**
 thermocouple Cu-CuNi **(T)**
 thermocouple Fe-CuNi **(J)**
 thermocouple NiCr-NiAl **(K)**

Measuring junction

insulated⁽²⁾

Class of processing element

2 (B)⁽²⁾

Sheath material

steel 1.4541

Cable insulation

fiber glass and steel braid⁽³⁾

Additional accessories

compression gland **KP**

⁽¹⁾ Pt500, Pt1000, Ni100, Ni1000 on demand

⁽²⁾ Other parameters according to customer requirements

⁽³⁾ Other cable insulation: PVC, silicon, PTFE, stainless steel armored sheath on demand

ORDERING CODE



Measuring element **Pt100, T, J or K⁽¹⁾**

Sheath outer diameter $\varnothing = 2,5, 3, 4, 5$ or 6 mm⁽²⁾

Sensor length $L = 20 \dots 1000$ mm⁽²⁾

Length of the cable $L_k = 0,5 \dots 2,5$ m⁽²⁾

Additional accessories: compression gland type **KPM8x1, KPM10x1, KPM12x1,5⁽²⁾**

Example for order:

TP-366J-5-50-1,5 thermocouple sensor Fe-CuNi (J) of outer diameter $\varnothing = 5$ mm, length $L = 50$ mm and length of the cable $L_k = 1,5$ m.