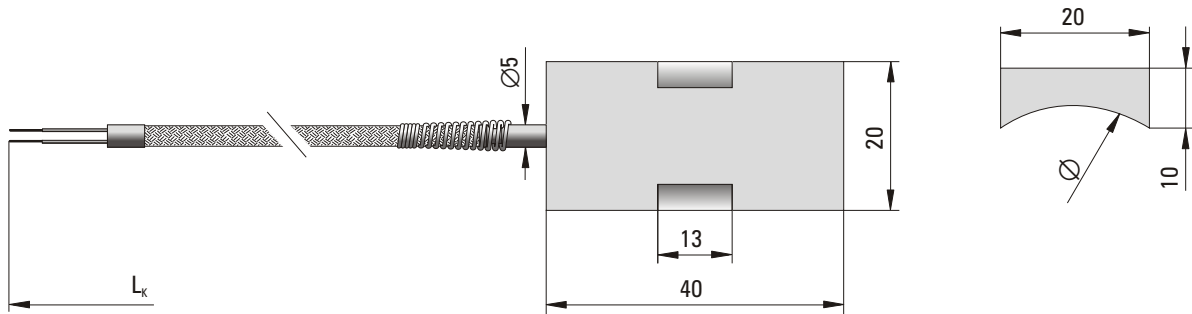


TEMPERATURE SENSOR

type 386



SPECIFICATION

Application	temperature measurement of pipelines and other cylindrical elements. Sensor is fastened by hose-clip.
Temperature range	-40 °C... +400 °C
Measuring element	platinum resistor (Pt100) ⁽¹⁾ thermocouple Cu-CuNi (T) thermocouple Fe-CuNi (J) thermocouple NiCr-NiAl (K)
Class of processing element	2 (B) ⁽⁴⁾
Measuring junction	insulated ⁽²⁾
Heatsink material	brass
Cable insulation	fiber glass and steel braid ⁽³⁾
Additional accessories	hose-clip OZ

⁽¹⁾ Pt500, Pt1000, Ni100, Ni1000 on demand

⁽²⁾ Double version on demand

⁽³⁾ Other insulation of the cable: PVC, silicon, PTFE, stainless steel armored sheath on demand

⁽⁴⁾ Other parameters according to customer requirements

ORDERING CODE



Measuring element **Pt100, T, J or K**

Pipeline (cylindrical element) outer diameter \varnothing (mm)

Length of the cable $L_k = 0,5, 1,5$ or $2,5$ m⁽⁴⁾

Additional accessories: hose-clip **OZ**

Example for order: TP-386Pt100-50-2,5 Pt100 resistance sensor for pipeline of outer diameter \varnothing 50 mm, length of the cable $L_k = 2,5$ m.