

TEMPERATURE SENSOR

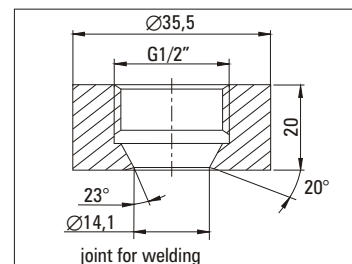
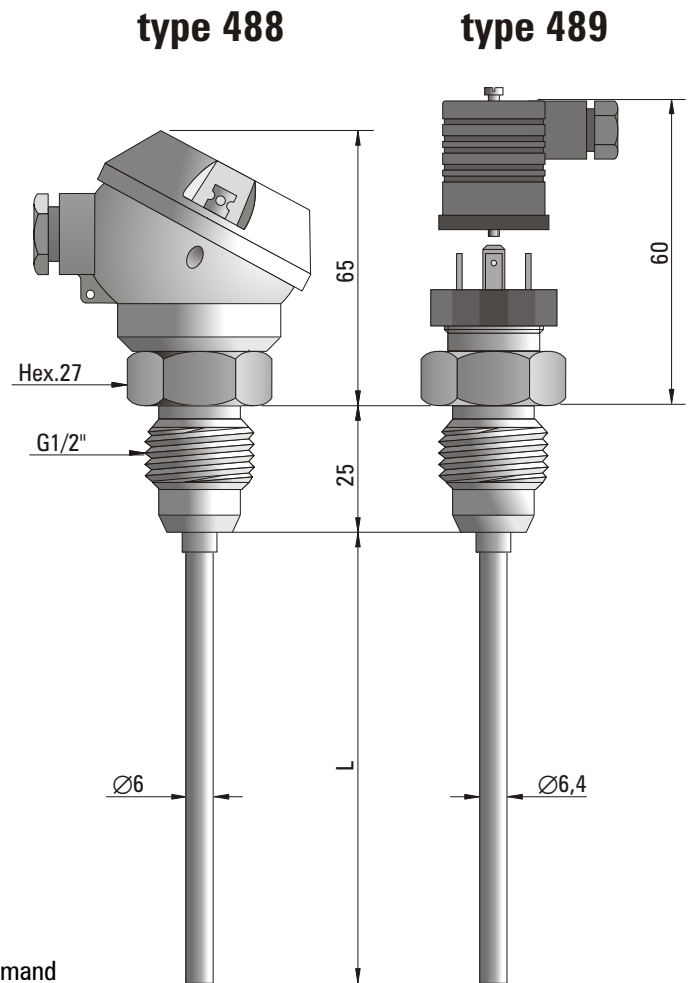
type 488, 489

SPECIFICATION

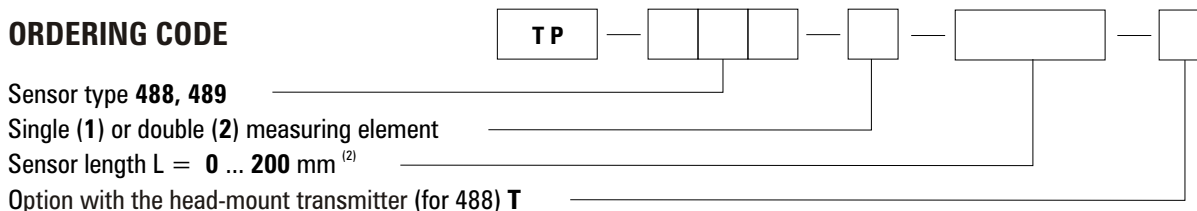
Application: temperature measurement in pharmaceutical and food industry. **The sensor is equipped with a hygienic joint (for welding) based on metal-to-metal seal with conical surface .**

Temperature range	-40°C...+150°C
Measuring element	platinum resistor Pt100 ⁽¹⁾
Class of processing element	B ⁽²⁾
Conductor material	wire Cu/Ni
Assembly	2, 3 or 4 wires
Sheath material	steel 1.4541
Maximum operating pressure	1,6 MPa
Roughness of sheath surface	$R_a < 0,8 \mu m$ ⁽²⁾
Connection head type (for 488)	MA or B ⁽³⁾
Connector type (for 489)	Hirschmann
Head and connector operating temperature	-40°C...+100°C
Additional accessories (for 488)	temperature transmitter

⁽¹⁾ Pt500, Pt1000, Ni100, Ni1000 on demand
⁽²⁾ Other parameters according to customer requirements
⁽³⁾ Connection head with protection class IP65 or acid resistant on demand



ORDERING CODE



Example for order: TP-488-1-50 sensor with connection head type MA, with single Pt100 resistor of length L=50mm.
 TP-488-1-50-T; TCHF-2120 sensor with connection head type B, option with the head-mount transmitter type TCHF-2120.