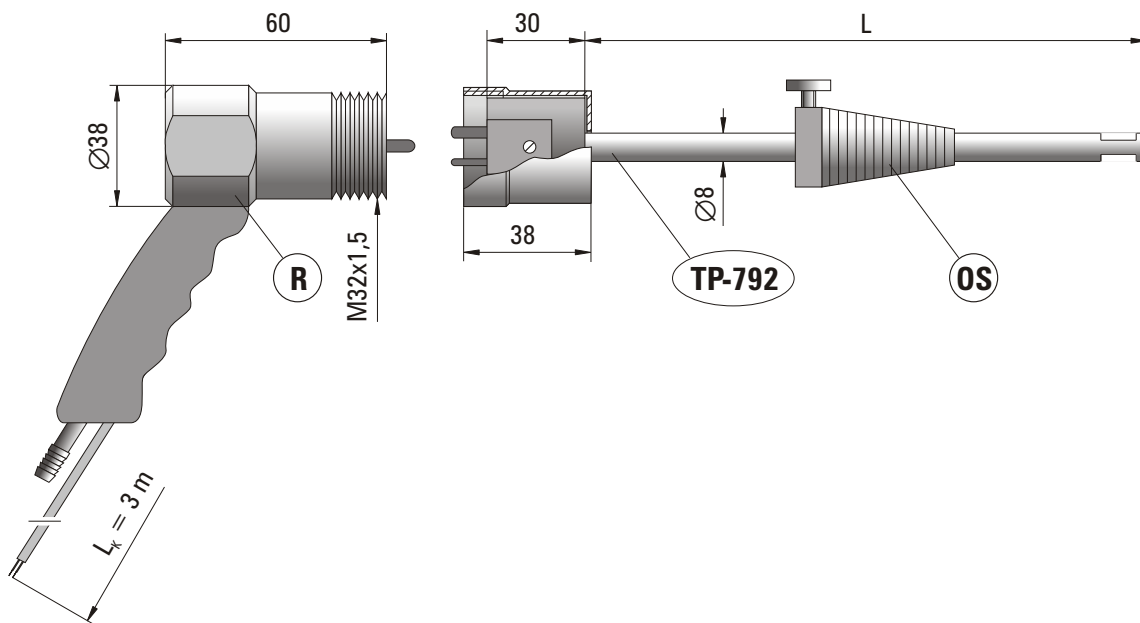


## TEMPERATURE SENSOR

### type 792

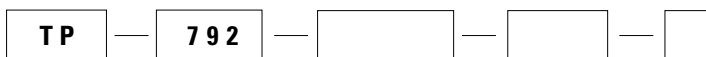


### SPECIFICATION

Application	temperature measurement of exhaust gas, for use with the gas analyzers
Temperature range	0°C...+1000°C
Measuring element	NiCr-NiAl (K)
Class of thermocouple	1
Measuring junction	insulated
Handle and cable operating temperature	-20°C...+80°C
Sheath material	steel 1.4541
Sensor length L	500, 700, 1000 or 1500 mm <sup>(1)</sup>
Additional accessories	sensor handle type <b>R</b> conical limiter for sensor immersion length type <b>OS</b>

<sup>(1)</sup> Other parameters according to customer requirements

### ORDERING CODE



Sensor length L = 500, 700, 1000 or 1500 mm<sup>(1)</sup>

Additional accessories: conical limiter for sensor's immersion depth type **OS**  
 sensor handle type **R**

### Example for order:

TP-792-1500 sensor of length L = 1500 mm.  
 TP-792-700-OS sensor of length L = 700 mm with conical limiter type OS.  
 TP-792-700-OS-R sensor of length L=700 mm with conical limiter type OS, handle type R and compensation cable of length L<sub>k</sub> = 3 m.