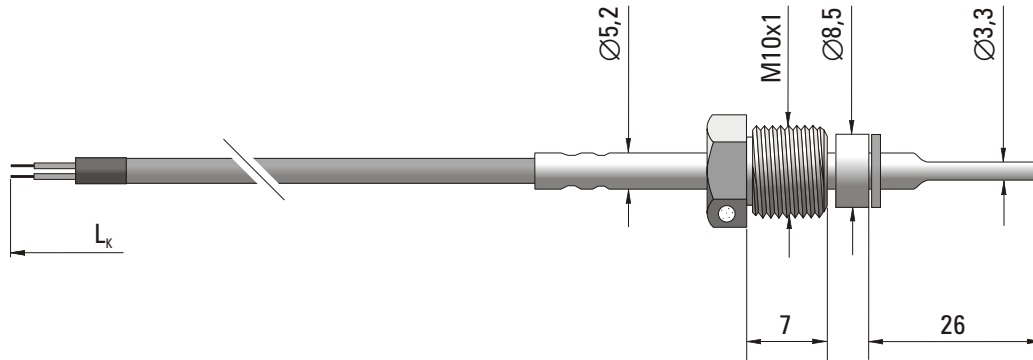


TEMPERATURE SENSOR

type 979



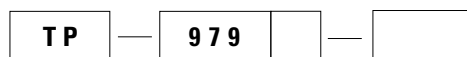
SPECIFICATION

Application	temperature measurement in pipelines and central heating systems
Temperature range	0°C...+180°C
Measuring element	platinum resistor (Pt100), (Pt500), (Pt1000) ⁽¹⁾
Class of processing element	B ⁽²⁾
Sheath material	steel 1.4541
Gland material M10 x 1	brass
Maximum operating pressure	1,6 MPa
Roughness of sheath surface	$R_a < 0,8 \mu\text{m}$ ⁽²⁾
Response time $T_{0,9}$	< 5 s (in water 0,1 m/s)
Connecting cable in silicon insulation	cord 2 x 0,25 mm ²

⁽¹⁾ Ni100, Ni1000 on demand

⁽²⁾ Other parameters according to customer requirements

ORDERING CODE



Measuring element **Pt100, Pt500, Pt1000**
 Length of the cable $L_k = 0,5, 1,5$ or 3 m ⁽²⁾

Example for order: TP-979Pt100-3 sensor with single Pt100 resistor and cable of length $L_k = 3 \text{ m}$.