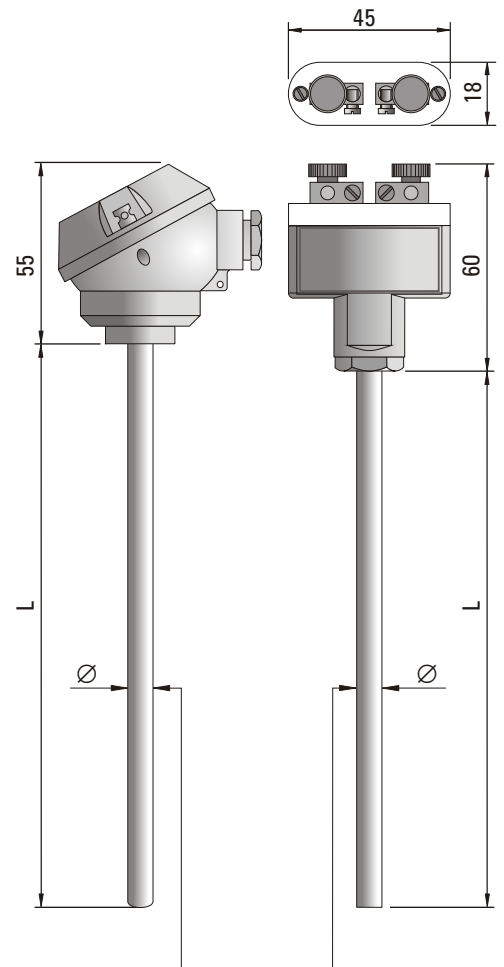


TEMPERATURE SENSOR

type 401, 402, 403, 404, 405, 406, 407, 408

SPECIFICATION

Temperature range	-40°C... +550°C	(Pt100)
	-40°C... +400°C	(T)
	-40°C... +600°C	(J)
	-40°C... +900°C	(K)
Measuring element	platinum resistor (Pt100) ⁽¹⁾	
	Cu-CuNi	(T)
	Fe-CuNi	(J)
	NiCr-NiAl	(K)
Class of processing element	2 (B) ⁽¹⁾	
Conductor material	wire Cu/Ni (for Pt100)	
Assembly	2, 3 or 4 wires (for Pt100)	
Measuring junction	insulated ⁽¹⁾	
Sheath material	steel 1.4541	
Connection head type	MA or B ⁽⁴⁾ , oval opened	
Roughness of sheath surface	$R_a < 0,8 \mu\text{m}$ ⁽²⁾	
Head operating temperature	-40°C... +100°C	
Additional accessories	compression gland type KP clamping plate UZ temperature transmitter compensation cable	



Type	Ø (mm) ⁽⁴⁾	Type
TP-401	6	TP-406
TP-402	8	TP-407
TP-403	10	TP-408
TP-404	12	
TP-405	15	

⁽¹⁾ Pt500, Pt1000, Ni100, Ni1000 on demand

⁽²⁾ Other parameters according to customer requirements

⁽³⁾ Connection head with protection class IP65 or acid resistant on demand

⁽⁴⁾ Protection tube of outer diameter Ø9 and Ø11 mm on demand

ORDERING CODE



Sensor type **401, 402, 403, 404, 405, 406, 407, 408**

Measuring element **Pt100, T, J, or K**

Single **(1)** or double **(2)** measuring element

Sensor length L = **200, 300, 400, 600, 800 or 1000** mm⁽⁵⁾

Additional accessories: compression gland type **KP**, clamping plate type **UZ**

Option with the head-mount transmitter **T**

Example for order:

TP-401K-1-400 sensor with single thermocouple NiCr-NiAl (K), with connection head type MA, sheath outer diameter Ø = 6mm and length L = 400mm.

TP-401K-1-400-T; TCH-2140-K sensor with single thermocouple NiCr-NiAl (K), with connection head type B, option with head-mount transmitter type TCH-2140-K.