

TEMPERATURE SENSOR

type 431, 432, 433, 434, 435, 436, 437, 438

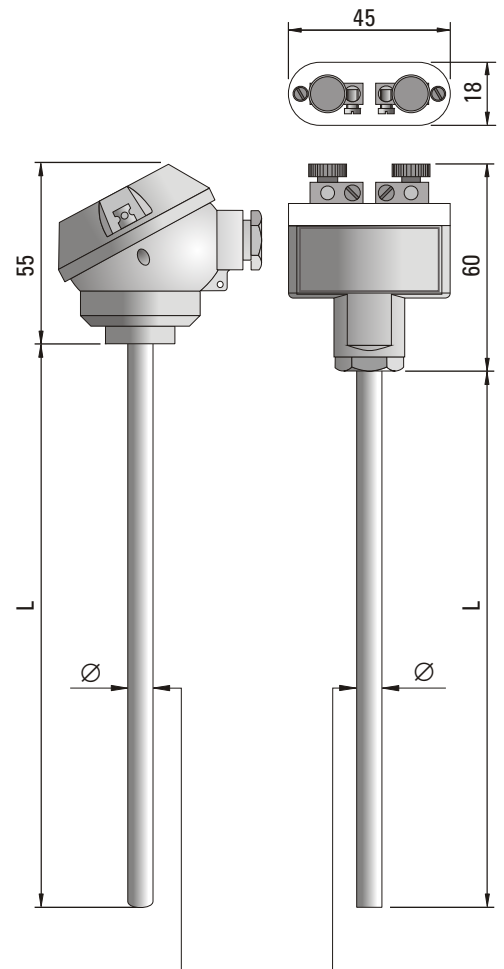
SPECIFICATION

Temperature range	-40°C...+800°C	(J)
	-40°C...+1100°C	(K)
	-40°C...+1250°C	(N)
Sheathed thermocouple	Fe-CuNi	(J)
	NiCr-NiAl	(K)
	NiCrSi-NiSi	(N)
Measuring junction	grounded	(type a)
	insulated	(type b)
	Exposed	(type c)
Class of thermocouple	1	
Sheath material	Inconel (J, K), Microbell (N)	
Connection head type	MA or B ⁽⁴⁾ , oval opened	
Head operating temperature	-40°C...+100°C	
Additional accessories	compression gland type KP compensation cable temperature transmitter	

⁽¹⁾ Thermocouples of outer diameter $\varnothing = 1, 1,5$ or 2 mm on demand

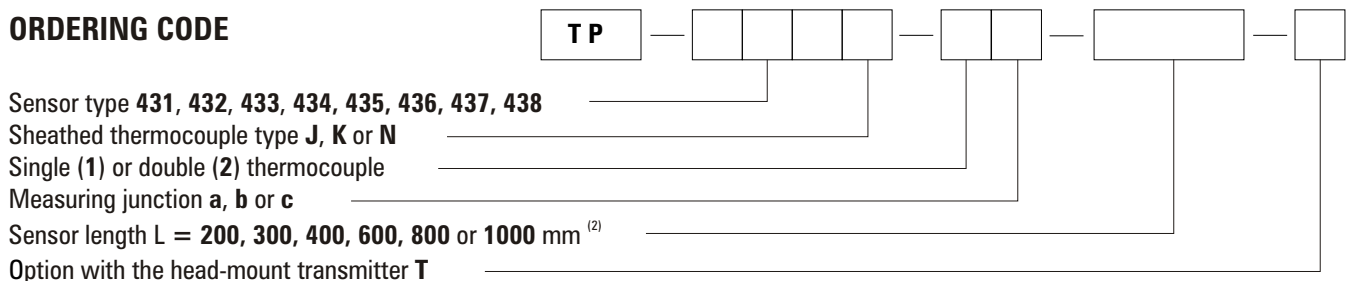
⁽²⁾ Other parameters according to customer requirements

⁽³⁾ Connection head with protection class IP65 or acid resistant on demand



Type	\varnothing (mm) ⁽¹⁾	Type
TP-431	3	TP-435
TP-432	4,5	TP-436
TP-433	6	TP-437
TP-434	8	TP-438

ORDERING CODE



Example for order:

TP-431K-1b-200 sensor with connection head type MA, with single sheathed thermocouple NiCr-NiAl (K) of outer diameter $\varnothing = 3$ mm, measuring junction galvanically insulated from sheath (type b), length $L=200$ mm.

TP-431K-1b-200-T; TCH-2140-K sensor with connection head type B, option with the head-mount transmitter type TCH-2140-K.