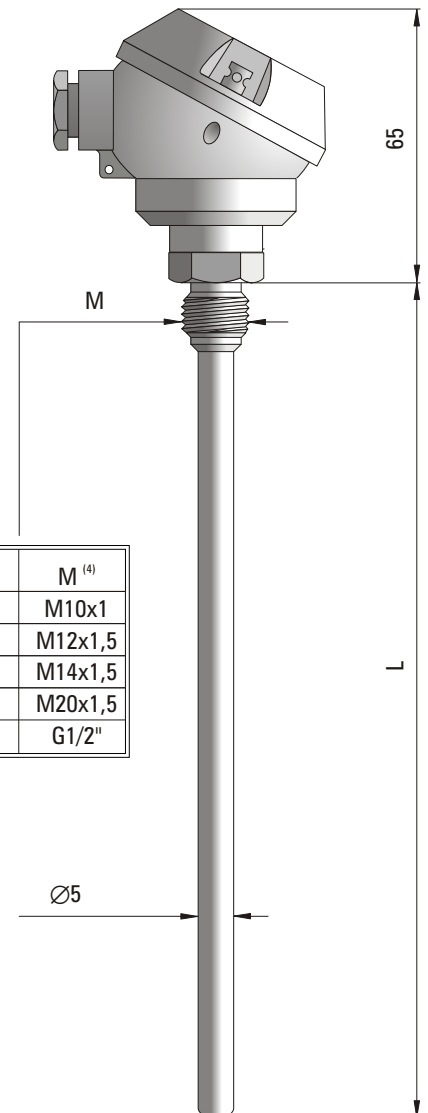


# TEMPERATURE SENSOR

## type 481, 482, 483, 484, 485

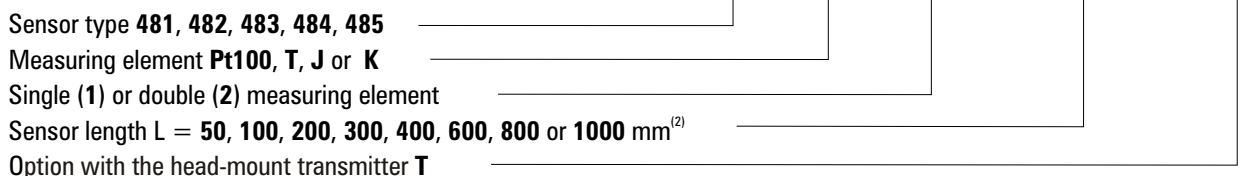
### SPECIFICATION

Temperature range	-40°C... +150°C
Measuring element	platinum resistor <b>(Pt100)</b> <sup>(1)</sup> thermocouple Cu-CuNi <b>(T)</b> thermocouple Fe-CuNi <b>(J)</b> thermocouple NiCr-NiAl <b>(K)</b>
Class of processing element	2 <b>(B)</b> <sup>(2)</sup>
Conductor material	wire Cu/Ag (for Pt100)
Assembly	2, 3 or 4 wires (for Pt100)
Measuring junction	insulated <sup>(2)</sup>
Sheath material	steel 1.4541
Roughness of sheath surface	$R_a < 0,8 \mu\text{m}$ <sup>(2)</sup>
Maximum operating pressure	1,6 MPa
Outer sheath diameter	$\varnothing 5 \text{ mm}$ <sup>(2)</sup>
Connection head type	MA or B <sup>(3)</sup>
Head operating temperature	-40°C... +100°C
Additional accessories	thermowell for welding temperature transmitter compensation cable



<sup>(1)</sup> Pt500, Pt1000, Ni100, Ni1000 on demand  
<sup>(2)</sup> Other parameters according to customer requirements  
<sup>(3)</sup> Connection head with protection class IP65 or acid resistant on demand  
<sup>(4)</sup> Other inch and metric threads on demand

### ORDERING CODE



**Example for order:** TP-482Pt100-1-400 sensor with connection head type MA, with single Pt100 resistor, sheath outer diameter  $\varnothing = 5\text{mm}$  and length L=400mm with welded stationary fitting with thread M12x1,5.  
 TP-482Pt100-1-400-T; TCHF-2120 sensor with connection head type B, option with the head-mount transmitter type TCHF-2120.