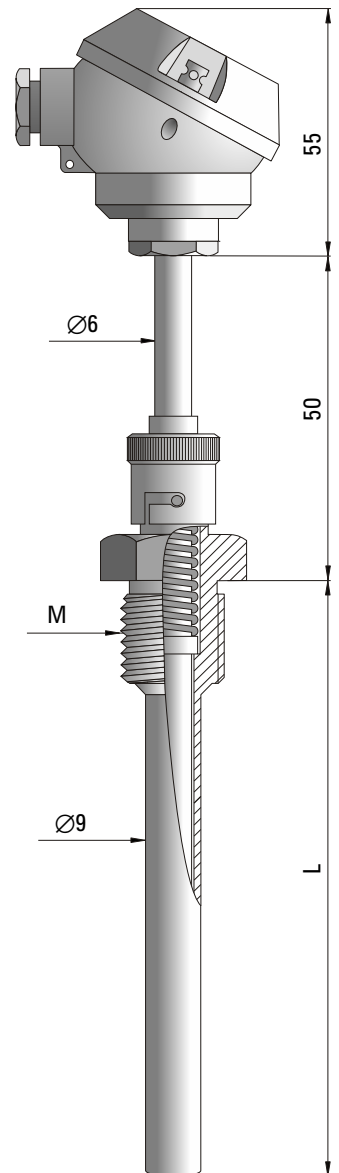


TEMPERATURE SENSOR

type 496

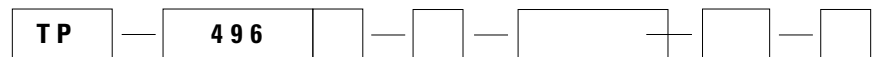
SPECIFICATION

Application	temperature measurement in receptacles and pipelines
Temperature range	-40°C... +400°C
Measuring element	platinum resistor (Pt100) ⁽¹⁾ thermocouple Cu-CuNi (T) thermocouple Fe-CuNi (J) thermocouple NiCr-NiAl (K)
Class of processing element	2 (B) ⁽²⁾
Conductor material	wire Cu/Ni (for Pt100)
Assembly	2, 3 or 4 wires (for Pt100)
Measuring junction	insulated ⁽²⁾
Sheath material	steel 1.4541
Maximum operating pressure	see Sheath Operating Loads information
Roughness of sheath surface	$R_a < 0,8 \mu\text{m}$ ⁽²⁾
Connection head type	MA or B ⁽³⁾
Fitting (M)	M20x1,5, M27x2, G1/2", G3/4" ⁽⁴⁾ or $\varnothing 24$ for welding
Head operating temperature	-40°C... +100°C
Additional accessories	thermowell for welding temperature transmitter compensation cable



⁽¹⁾ Pt500, Pt1000, Ni100, Ni1000 on demand
⁽²⁾ Other parameters according to customer requirements
⁽³⁾ Connection head with protection class IP65 or acid resistant on demand
⁽⁴⁾ Other inch and metric threads on demand

ORDERING CODE



Sensor type **Pt100, T, J** or **K**
 Single **(1)** or double **(2)** measuring element
 Sensor length L = **50 ... 1000** mm⁽²⁾
 Fitting (M) **M20x1,5, M27x2, G1/2", G3/4"**⁽⁴⁾ or $\varnothing 24$ for welding
 Option with the head-mount transmitter **T**

Example for order: TP-496Pt100-1-50-G1/2" sensor with connection head type MA, with single Pt100 resistor, with sheath of length L=50mm and thread G1/2".
 TP-496Pt100-1-50-G1/2"-T; TCHF-2120 sensor with connection head type B, option with the head-mount transmitter type TCHF-2120.