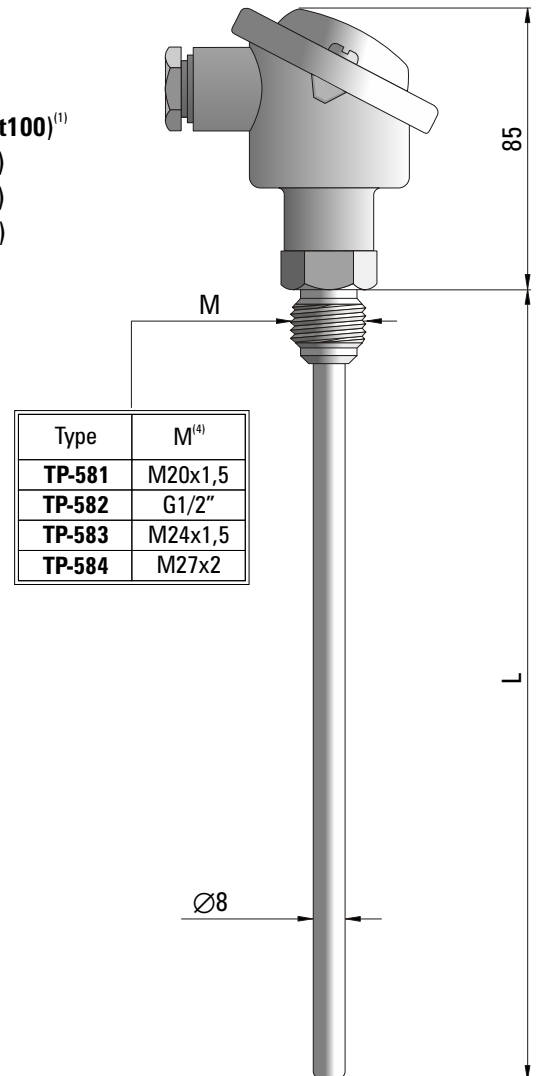


TEMPERATURE SENSOR

type 581, 582, 583, 584

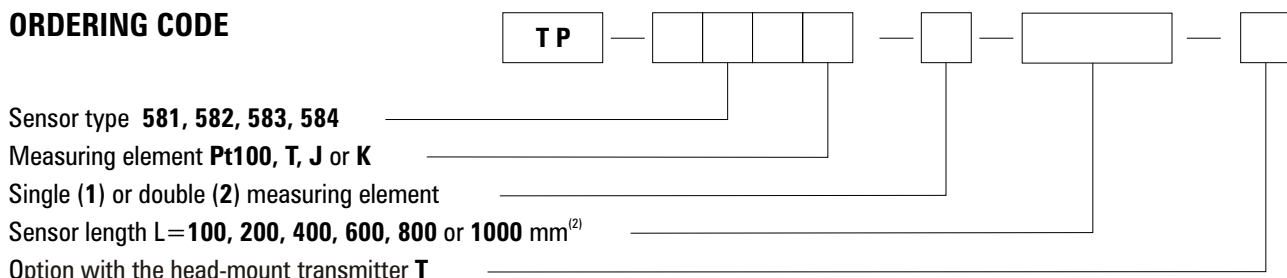
SPECIFICATION

Temperature range	-40°C... +150°C
Measuring element	platinum resistor (Pt100)⁽¹⁾ thermocouple Cu-CuNi (T) thermocouple Fe-CuNi (J) thermocouple NiCr-NiAl (K)
Class of processing element	2 (B)⁽²⁾
Conductor material	wire Cu/Ag (for Pt100)
Assembly	2, 3 or 4 wires (for Pt100)
Measuring junction	insulated ⁽²⁾
Sheath material	steel 1.4541
Outer sheath diameter	Ø8mm ⁽²⁾
Roughness of sheath surface	$R_a < 0,8 \mu\text{m}$ ⁽²⁾
Maximum operating pressure	1,6 MPa
Connection head type	B ⁽³⁾
Head operating temperature	-40°C ... +100°C
Additional accessories	temperature transmitter thermowell for welding compensation cable



⁽¹⁾ Pt500, Pt1000, Ni100, Ni1000 on demand
⁽²⁾ Other parameters according to customer requirements
⁽³⁾ Connection head with protection class IP65 or acid resistant on demand
⁽⁴⁾ Other inch and metric threads on demand

ORDERING CODE



Example for order: TP-582Pt100-1-400 sensor with single Pt100 resistor with sheath of outer diameter $\varnothing = 8$ mm and length L = 400 mm, welded stationary fitting with thread G 1/2".
 TP-582Pt100-1-400; TCH-2120-Pt100 sensor with the head-mount transmitter type TCH-2120-Pt100.