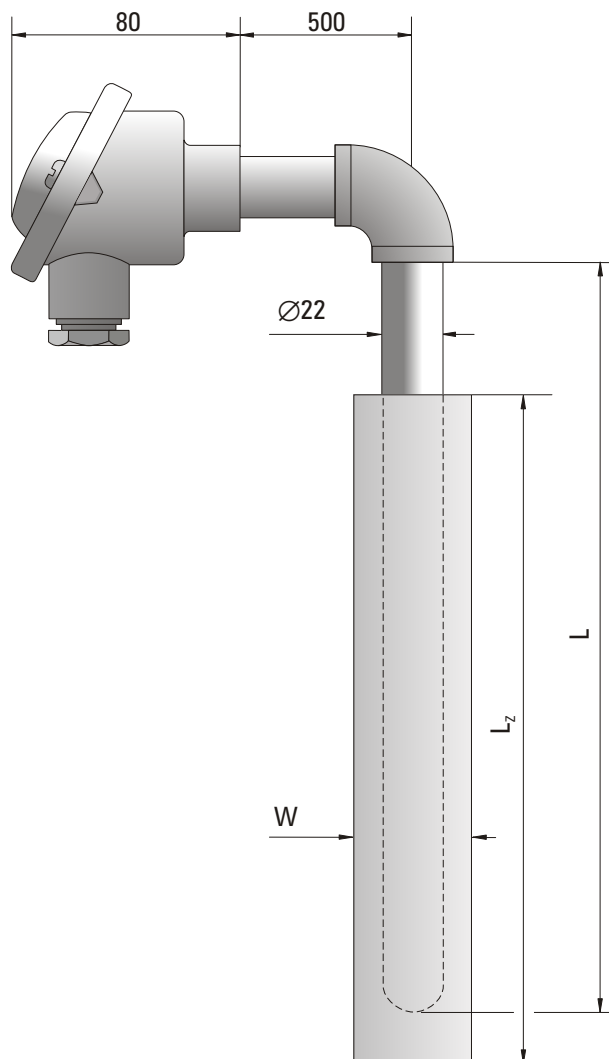


TEMPERATURE SENSOR

type 941, 942, 943, 944

SPECIFICATION

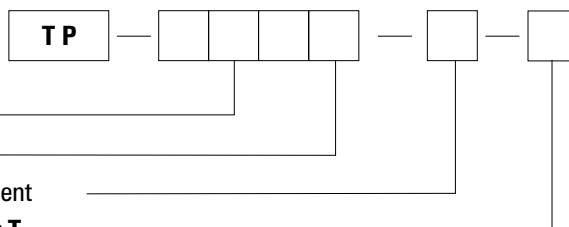
Application	temperature measurement of liquid non-ferrous metals and alloys
Temperature range	0°C... +600°C (J) 0°C... +900°C (K)
Measuring element	thermocouple Fe-CuNi (J) thermocouple NiCr-NiAl (K)
Class of thermocouple	2 ⁽¹⁾
Measuring junction	insulated
Material of ceramic protection tube	silicon carbide
Connection head type	B or DA ⁽²⁾
Head operating temperature	-40°C... +100°C
Additional accessories	temperature transmitter compensation cable



⁽¹⁾ Other parameters according to customer requirements
⁽²⁾ Connection head with protection class IP65 or acid resistant on demand

Sensor type	TP-941	TP-942	TP-943	TP-944
Sensor length L(mm) ⁽¹⁾	600	800	1000	1200
Immersion length L ₂ (mm)	400	600	700	950
Ceramic protection tube shape W	round 45 mm	semi-round 52 mm		semi-round 57 mm

ORDERING CODE



Sensor type **941, 942, 943, 944**
 Measuring element **J or K**
 Single **(1)** or double **(2)** measuring element
 Option with the head-mount transmitter **T**

Example for order: TP-941K-1 sensor with single thermocouple NiCr-NiAl (K) in round protection tube of silicon carbide W = 45 mm of length L₂ = 400 mm and length L = 600 mm.
 TP-941K-1-T; TCH-2160-K sensor with the head-mount transmitter type TCH-2160-K.