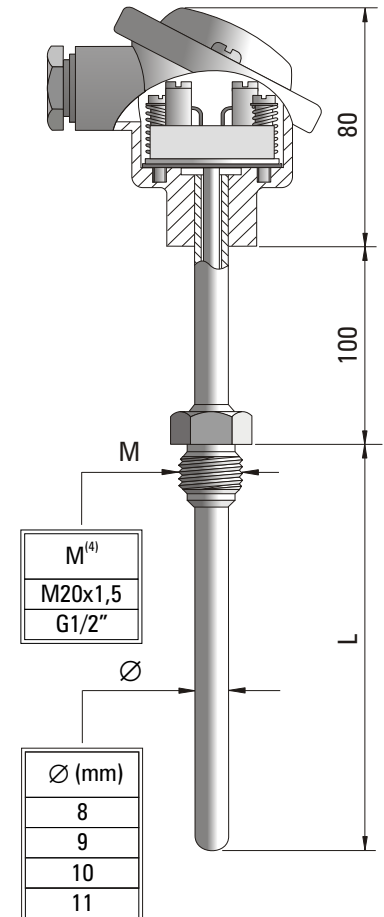


TEMPERATURE SENSOR

type 611, 612, 613, 614
type 621, 622, 623, 624

SPECIFICATION

Temperature range	-40°C...+550°C	(Pt100)
	-40°C...+400°C	(T)
	-40°C...+600°C	(J)
	-40°C...+900°C	(K)
Measuring element - insert type TP-701	platinum resistor	(Pt100)⁽¹⁾
	thermocouple Cu-CuNi	(T)
	thermocouple Fe-CuNi	(J)
	thermocouple NiCr-NiAl	(K)
Class of processing element	2 (B) ⁽²⁾	
Conductor material	wire Cu/Ni (for Pt100)	
Assembly	2, 3 or 4 wires (for Pt100)	
Measuring junction	insulated ⁽²⁾	
Sheath material	steel 1.4541	
Roughness of sheath surface	$R_a < 0,8 \mu\text{m}^{(2)}$	
Maximum operating pressure	see Sheath Operating Loads information	
Connection head type	B or NA ⁽³⁾	
Head operating temperature	-40°C...+100°C	
Additional accessories	temperature transmitter thermowell for welding compensation cable	



⁽¹⁾ Pt500, Pt1000, Ni100, Ni1000 on demand

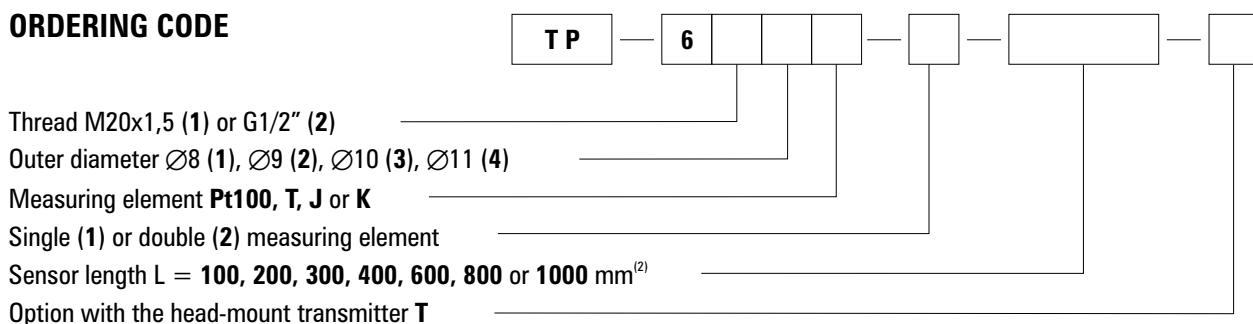
⁽²⁾ Other parameters according to customer requirements

⁽³⁾ Connection head with protection class IP65 or acid resistant on demand

⁽⁴⁾ Other inch and metric threads on demand

Sensor length L (mm)	100	200	300	400	600	800	1000
Length of insert TP-701 (mm)	230	330	430	530	730	930	1130

ORDERING CODE



Example for order: TP-611K-1-400 sensor (with measuring insert TP-701K-1-530) with single thermocouple NiCr-NiAl (K) of outer diameter $\varnothing = 8$ mm and length $L = 400$ mm with thread M20x1,5.
 TP-611K-1-400-T; TCH-2140-K sensor with the head-mount transmitter type TCH-2140-K.