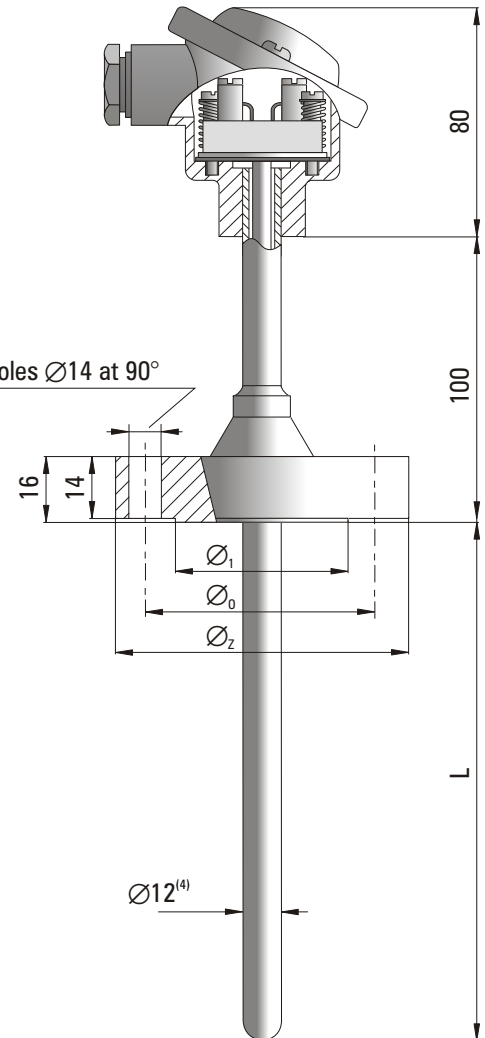


# TEMPERATURE SENSOR

## type 911, 912

### SPECIFICATION

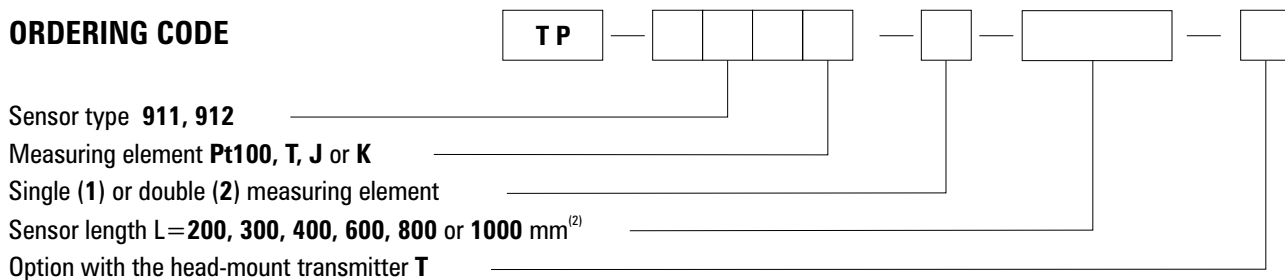
Temperature range	-40°C... +550°C	(Pt100)
	-40°C... +400°C	(T)
	-40°C... +600°C	(J)
	-40°C... +900°C	(K)
Measuring element - insert type TP-702	platinum resistor	(Pt100) <sup>(1)</sup>
	thermocouple Cu-CuNi	(T)
	thermocouple Fe-CuNi	(J)
	thermocouple NiCr-NiAl	(K)
Class of processing element	2 (B) <sup>(2)</sup>	
Conductor material	wire Cu/Ni (for Pt100)	
Assembly	2, 3 or 4 wires (for Pt100)	
Measuring junction	insulated <sup>(2)</sup>	
Sheath material	steel 1.4541	
Roughness of sheath surface	$R_a < 0,8 \mu m$ <sup>(2)</sup>	
Flange	DN 20 or DN 25 according to ISO 7005-1 <sup>(5)</sup>	
Maximum operating pressure	see the Sheath Operating Loads	
Connection head type	B or NA <sup>(3)</sup>	
Head operating temperature	-40°C... +100°C	
Additional accessories	temperature transmitter compensation cable	



- <sup>(1)</sup> Pt500, Pt1000, Ni100, Ni1000 on demand
- <sup>(2)</sup> Other parameters according to customer requirements
- <sup>(3)</sup> Connection head with protection class IP65 or acid resistant on demand
- <sup>(4)</sup> Other outer sheath diameters on demand
- <sup>(5)</sup> Other flanges on demand

Sensor type	Flange	Ø <sub>1</sub> (mm)	Ø <sub>0</sub> (mm)	Ø <sub>2</sub> (mm)
TP-911	DN20	56	75	105
TP-912	DN25	65	85	115

### ORDERING CODE



**Example for order:** TP-911K-1-400 sensor (with measuring insert TP-702K-1-530) with single thermocouple NiCr-NiAl (K) of outer diameter  $\varnothing = 12$  mm and length  $L = 400$  mm with welded flange DN20.  
 TP-911K-1-400-T; TCH-2140-K sensor with head-mount transmitter type TCH-2140-K.