

TEMPERATURE SENSOR

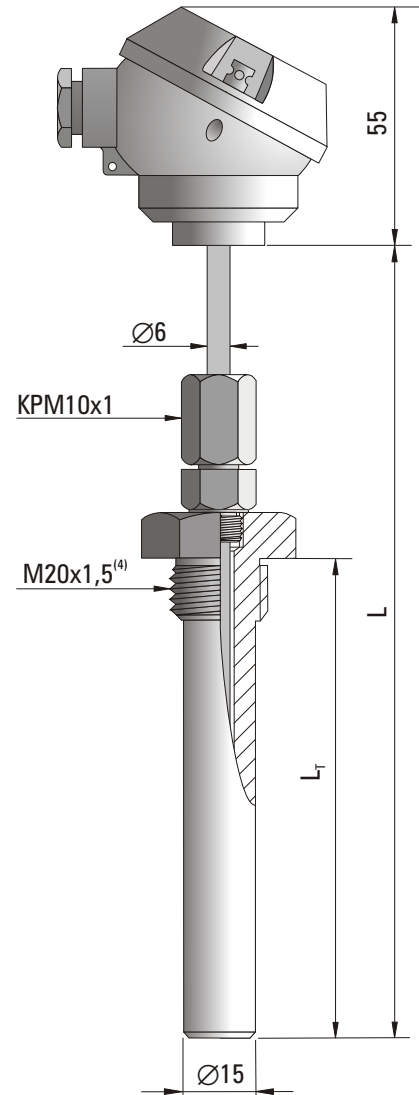
type 921, 922, 923, 924, 925

SPECIFICATION

| | |
|-----------------------------|---|
| Application | temperature measurement in pressure receptacles and pipelines |
| Maximum operating pressure | 10 MPa |
| Temperature range | -40°C... +550°C (Pt100) -40°C... +400°C (T) -40°C... +600°C (J) -40°C... +900°C (K) |
| Measuring element | platinum resistor (Pt100)⁽¹⁾ thermocouple Cu-NiAl (T) thermocouple Fe-CuNi (J) thermocouple NiCr-NiAl (K) |
| Class of processing element | 2 (B) ⁽²⁾ |
| Conductor material | wire Cu/Ni (for Pt100) |
| Assembly | 2, 3 or 4 wires (for Pt100) |
| Measuring junction | insulated ⁽²⁾ |
| Sheath material Ø6 | steel 1.4541 |
| Pressure sheath material | toughened steel⁽²⁾ |
| Connection head type | MA or B ⁽³⁾ |
| Head operating temperature | -40°C... +100°C |
| Additional accessories | temperature transmitter thermowell for welding compensation cable |

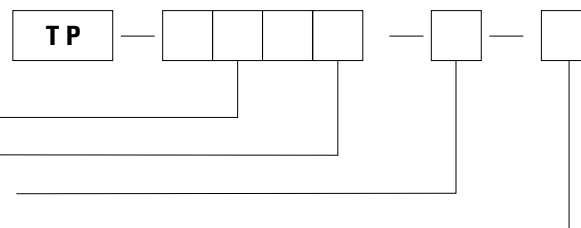
- ⁽¹⁾ Pt500, Pt1000, Ni100, Ni1000 on demand
⁽²⁾ Other parameters according to customer requirements
⁽³⁾ Connection head with protection class IP65 or acid resistant on demand
⁽⁴⁾ Other threads, sheathes or sheath for welding on demand

| Sensor type | TP-921 | TP-922 | TP-923 | TP-924 | TP-925 |
|--|--------|--------|--------|--------|--------|
| Sheath length L_s (mm) ^{*1} | 45 | 75 | 100 | 150 | 250 |
| Sensor length L (mm) ^{*1} | 100 | 150 | 200 | 250 | 300 |



ORDERING CODE

Sensor type **921, 922, 923, 924, 925**
 Measuring element **Pt100, T, J or K**
 Single **(1)** or double **(2)** measuring element
 Option with the head-mount transmitter **T**



Example for order: TP-921K-1 sensor with connection head type MA, with single thermocouple NiCr-NiAl (K) of length $L = 100$ mm and with pressure sheath of length $L_s = 45$ mm.
 TP-921K-1-T; TCH-2140-K sensor with connection head type B with head-mount transmitter type TCH-2140-K.