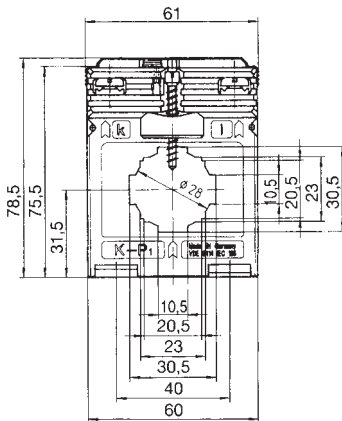
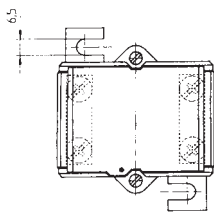
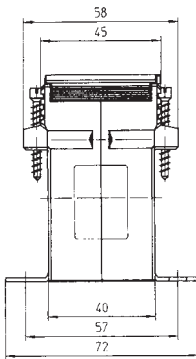


ASK 31.4

Plug-in current transformer



Primary conductor	30 x 10 mm 2 x 20 x 10 mm
Round conductor	Ø 28 mm
Transformer width	61 mm
Snap-on mounting	Art.-no. 54011 see page 204
Sealed shutter	Art.-no. 59041 see page 205
Current transformer for tariff applications	see page 170

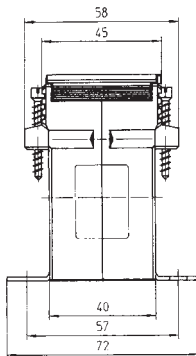
Secondary current		5A			1A	
Primary current A	Burden VA	Accuracy class			Accuracy class	
		1	0.5	0.2s	1	0.5
		Art.-no.	Art.-no.	Art.-no.	Art.-no.	Art.-no.
50	1.25	8157			8357	
	1.5	8038			8238	
60	1.25	8158			8358	
	1.5	8039			8239	
75	1.5	8041			8241	
	2.5	8042			8242	
80	1.5	8043			8243	
	2.5	8044			8244	
100	1.5	8045	8011		8245	8211
	2.5	8046	8010		8246	8210
	3.75	8152			8276	
	5	8047			8247	
150	1.5	8048	8012	V14-1604C	8248	8212
	2.5	8049	8013	V14-1604D	8249	8213
	5	8050	8410		8250	
	7.5	8051			8251	
200	2.5	8052	8014	V14-1704D	8252	8214
	5	8053	8015	V14-1704F	8253	8215
	10	8054			8254	
250	2.5	8055	8016	V14-1804D	8255	8216
	5	8056	8017	V14-1804F	8256	8217
	10	8057			8257	
	15	8058			8258	
300	2.5	8059	8018	V14-1904D	8259	8218
	5	8060	8019	V14-1904F	8260	8219
	10	8061	8020		8261	8220
	15	8062			8262	
400	2.5	8063	8021	V14-2004D	8263	8221
	5	8064	8022	V14-2004F	8264	8222
	10	8065	8023		8265	8223
	15	8066			8266	8224
500	2.5	8067	8025	V14-2104D	8267	8225
	5	8068	8026	V14-2104F	8268	8226
	10	8069	8027		8269	8227
	15	8070			8270	8228
600	2.5	8071	8029	V14-2204D	8271	8229
	5	8072	8030	V14-2204F	8272	8230
	10	8073	8031	V14-2204H	8273	8231
	15	8074	8032		8274	8232
750	2.5	8153	8033	V14-2304D	8353	8233
	5	8154	8034	V14-2304F	8354	8234
	10	8155	8035	V14-2304H	8355	8235
	15	8156	8036		8356	8236

Change-over transformers see page 48.



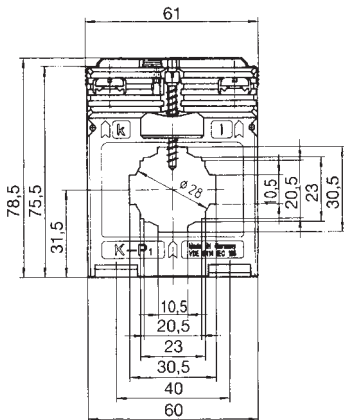
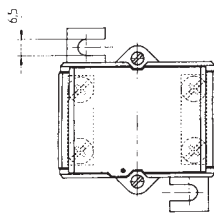
ASK 31.4 2U

Plug-in current transformer

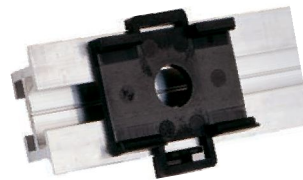


Secondary current		5A	1A
Primary current A	Burden VA	Accuracy class	Accuracy class
		1	1
		Art.-no.	Art.-no.
200-100	5-2.5	8117	8317
	10-5	8118	8318
300-150	5-2.5	8119	8319
	10-5	8120	8320
400-200	5-2.5	8121	8321
	10-5	8122	8322
500-250	5-2.5	8123	8323
	10-5	8124	8324
600-300	5-2.5	8125	8325
	10-5	8126	8326

ASK 31.4 3U



Secondary current		5A	1A
Primary current A	Burden VA	Accuracy class	Accuracy class
		1	1
		Art.-no.	Art.-no.
300-200-100	10-5-2.5	8137	8337
400-200-100	10-5-2.5	8138	8338
600-300-150	10-5-2.5	8139	8339
	15-10-5	8140	8340
600-400-200	10-5-2.5	8141	8341
	15-10-5	8142	8342



Snap-on mounting

Primary conductor	30 x 10 mm 2 x 20 x 10 mm
Round conductor	Ø 28 mm
Transformer width	61 mm
Snap-on mounting	Art.-no. 54011 see page 204
Sealed shutter	Art.-no. 59041 see page 205
Current transformer for tariff applications	see page 170