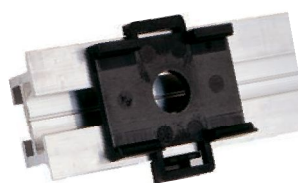
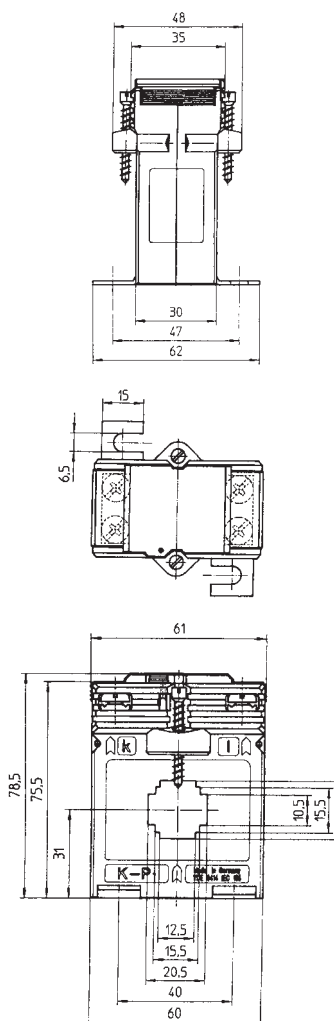




# SASK 21.3

Protection plug-in current transformer

Secondary current		5A		1A	
Primary current A	Burden VA	Protection class		Protection class	
		5P5 Art.-no.	10P5 Art.-no.	5P5 Art.-no.	10P5 Art.-no.
125	1	S03-1506B	S03-1507B	S03-1516C	S03-1517C
	1.5				
150	1	S03-1606B	S03-1607B	S03-1616C	S03-1617C
	1.5				
200	1	S03-1706B	S03-1707B	S03-1716C	S03-1717C
	1.5				



Snap-on mounting

Primary conductor	20 x 10 mm
Round conductor	Ø 19.2 mm
Transformer width	61 mm
Snap-on mounting	<b>Art.-no. 55014</b> see page 204
Sealed shutter	<b>Art.-no. 59040</b> see page 205
Current transformer for industrial applications	see page 43
Current transformer for tariff applications	see page 168