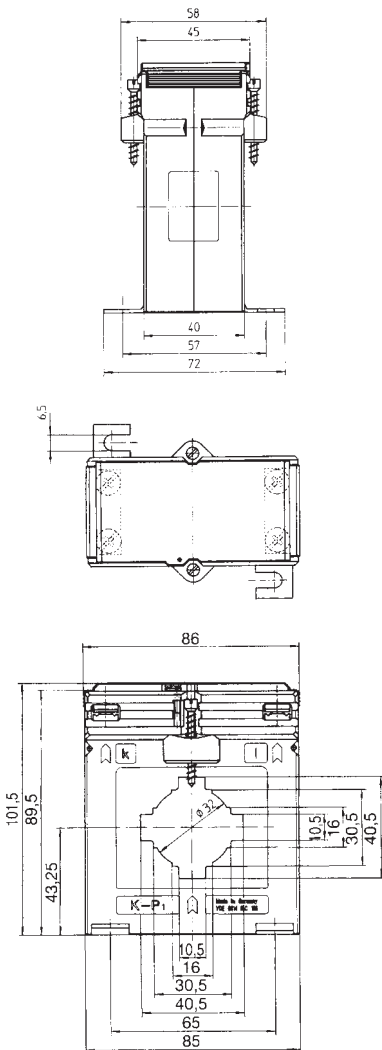




# SASK 541.4

Protection plug-in current transformer



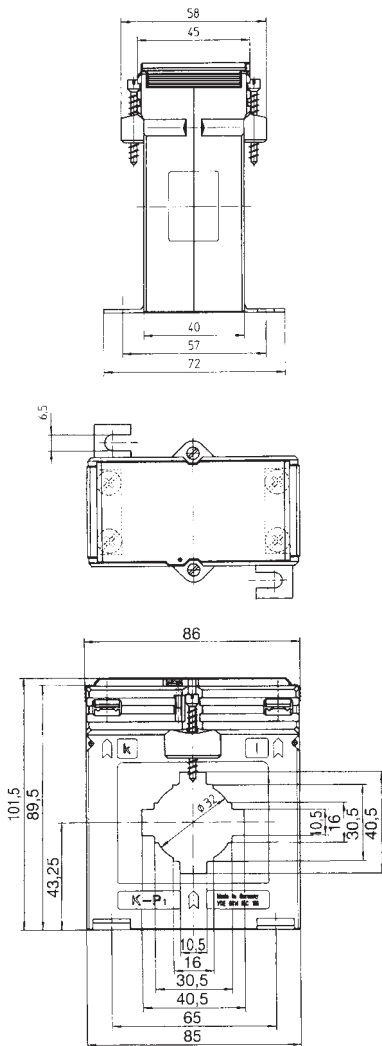
Secondary current		<b>5A</b>			
Primary current A	Burden VA	Protection class			
		5P5 Art.-no.	10P5 Art.-no.	5P10 Art.-no.	10P10 Art.-no.
100	1	S33-1306B	S33-1307B		
	1.5	S33-1306C	S33-1307C		
125	1	S33-1506B	S33-1507B		
	1.5	S33-1506C	S33-1507C		
	2.5		S33-1507D		
150	1.5	S33-1606C	S33-1607C		
	2.5	S33-1606D	S33-1607D		
200	1.5	S33-1706C	S33-1707C		
	2.5	S33-1706D	S33-1707D		
250	1.5	S33-1806C	S33-1807C		S33-1809C
	2.5	S33-1806D	S33-1807D		
300	1.5	S33-1906C	S33-1907C	S33-1908C	S33-1909C
	2.5	S33-1906D	S33-1907D		
	5		S33-1907F		
400	1.5	S33-2006C	S33-2007C	S33-2008C	S33-2009C
	2.5	S33-2006D	S33-2007D		
	5	S33-2006F	S33-2007F		
500	1.5	S33-2106C	S33-2107C	S33-2108C	S33-2109C
	2.5	S33-2106D	S33-2107D	S33-2108D	S33-2109D
	5	S33-2106F	S33-2107F		
	7.5		S33-2107G		
600	1.5	S33-2206C	S33-2207C	S33-2208C	S33-2209C
	2.5	S33-2206D	S33-2207D	S33-2208D	S33-2209D
	5	S33-2206F	S33-2207F		
	7.5		S33-2207G		
750	2.5	S33-2306D	S33-2307D	S33-2308D	S33-2309D
	5	S33-2306F	S33-2307F		
	7.5	S33-2306G	S33-2307G		
1000	2.5	S33-2506D	S33-2507D	S33-2508D	S33-2509D
	5	S33-2506F	S33-2507F		
	7.5	S33-2506G	S33-2507G		
	10	S33-2506H	S33-2507H		

Primary conductor	40 x 10 mm 2 x 30 x 5 mm
Round conductor	Ø 32 mm
Transformer width	86 mm
Snap-on mounting	—
Sealed shutter	<b>Art.-no. 59042</b> see page 205
Current transformer for industrial applications	see page 64
Current transformer for tariff applications	see page 177



# SASK 541.4

Protection plug-in current transformer



Secondary current		1A			
Primary current A	Burden VA	Protection class			
		5P5 Art.-no.	10P5 Art.-no.	5P10 Art.-no.	10P10 Art.-no.
100	1	S33-1316B	S33-1317B		
	1,5	S33-1316C	S33-1317C		
125	1	S33-1516B	S33-1517B		
	1,5	S33-1516C	S33-1517C		
	2,5	S33-1516D	S33-1517D		
150	1,5	S33-1616C	S33-1617C		
	2,5	S33-1616D	S33-1617D		
200	1,5	S33-1716C	S33-1717C		
	2,5	S33-1716D	S33-1717D		
250	1,5	S33-1816C	S33-1817C	S33-1818C	S33-1819C
	2,5	S33-1816D	S33-1817D		
300	1,5	S33-1916C	S33-1917C	S33-1918C	S33-1919C
	2,5	S33-1916D	S33-1917D		
	5		S33-1917F		
400	1,5	S33-2016C	S33-2017C	S33-2018C	S33-2019C
	2,5	S33-2016D	S33-2017D		
	5	S33-2016F	S33-2017F		
500	1,5	S33-2116C	S33-2117C	S33-2118C	S33-2119C
	2,5	S33-2116D	S33-2117D	S33-2118D	S33-2119D
	5	S33-2116F	S33-2117F		
600	1,5	S33-2216C	S33-2217C	S33-2218C	S33-2219C
	2,5	S33-2216D	S33-2217D	S33-2218D	S33-2219D
	5	S33-2216F	S33-2217F		
	7,5		S33-2217G		
750	1,5	S33-2316C	S33-2317C	S33-2318C	S33-2319C
	2,5	S33-2316D	S33-2317D	S33-2318D	S33-2319D
	5	S33-2316F	S33-2317F		
	7,5	S33-2316G	S33-2317G		
1000	2,5	S33-2516D	S33-2517D	S33-2518D	S33-2519D
	5	S33-2516F	S33-2517F		S33-2519F
	7,5	S33-2516G	S33-2517G		
	10	S33-2516H	S33-2517H		

Primary conductor	40 x 10 mm 2 x 30 x 5 mm
Round conductor	Ø 32 mm
Transformer width	86 mm
Snap-on mounting	—
Sealed shutter	<b>Art.-no. 59042</b> see page 205
Current transformer for industrial applications	see page 64
Current transformer for tariff applications	see page 177